

Front Stainless PANEL PC

19" Intel C2D PANEL PC

Intel C2D T5500(1.66GHz) Panel PC
Easy install HDD Tray
Compact & SLIM Design

IP65 in Front & Side Frame
Anti Vibration HDD Kit



Model: PNPC1900C2D

FEATURES:



■ IP65 in Front & Side Frame



■ HDD Anti-Vibration Easy-install kit

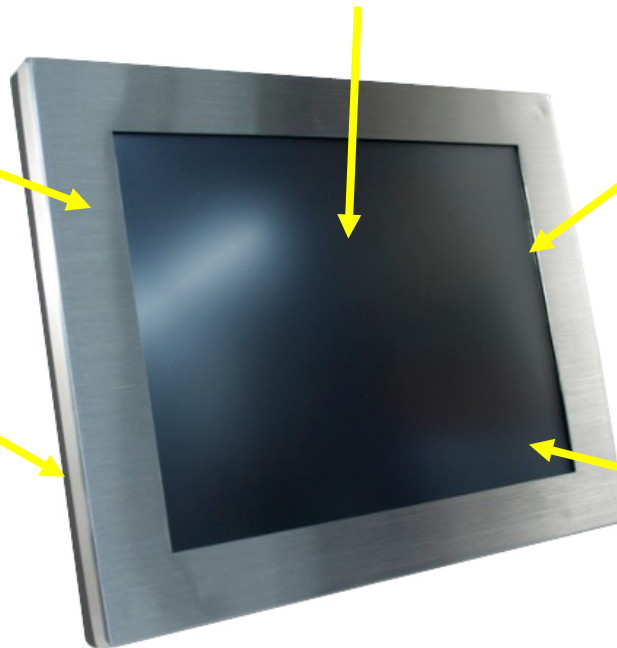


■ Ultra Slim Design

Intel C2D Panel PC: all in one PC with stainless steel Front bezel.

Stainless Steel Front Bezel:
Reduced dirt adhesion for easier cleaning and maintenance

Built in Speakers at the side



IP65/NEMA4:
Front Water and dust proof. Totally protected against dust, Protected against low pressure jets if water from all directions, limited ingress permitted

5 Wire Resistive Touch:
long life. Its durability and reliability are the features which make it enable to incorporate in heavy industry machinery, commercial markets and electronic equipment



Side Easy Access I/O:

- COM3
- Side ON/OFF.
- LED Light



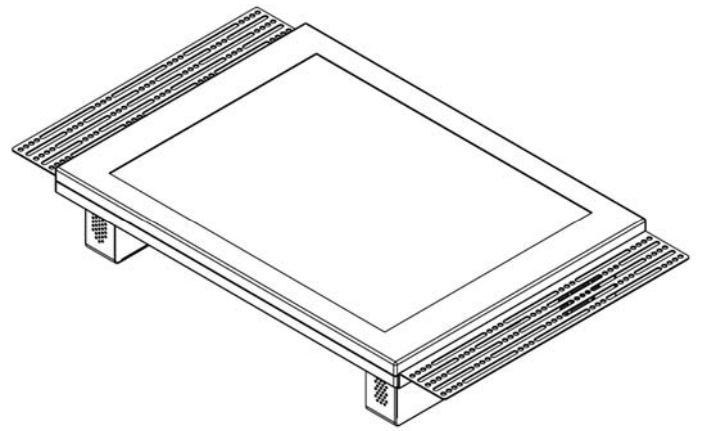
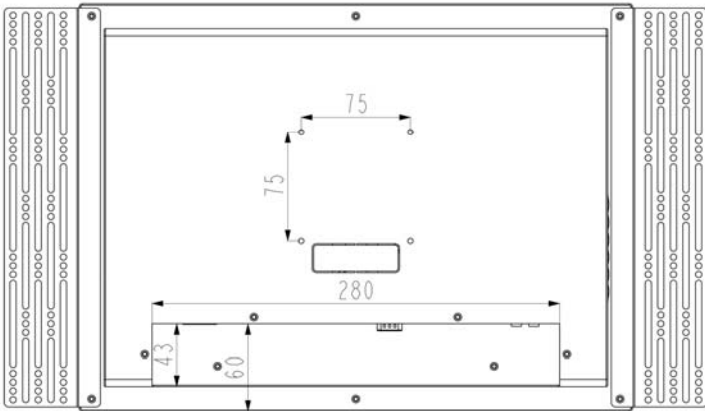
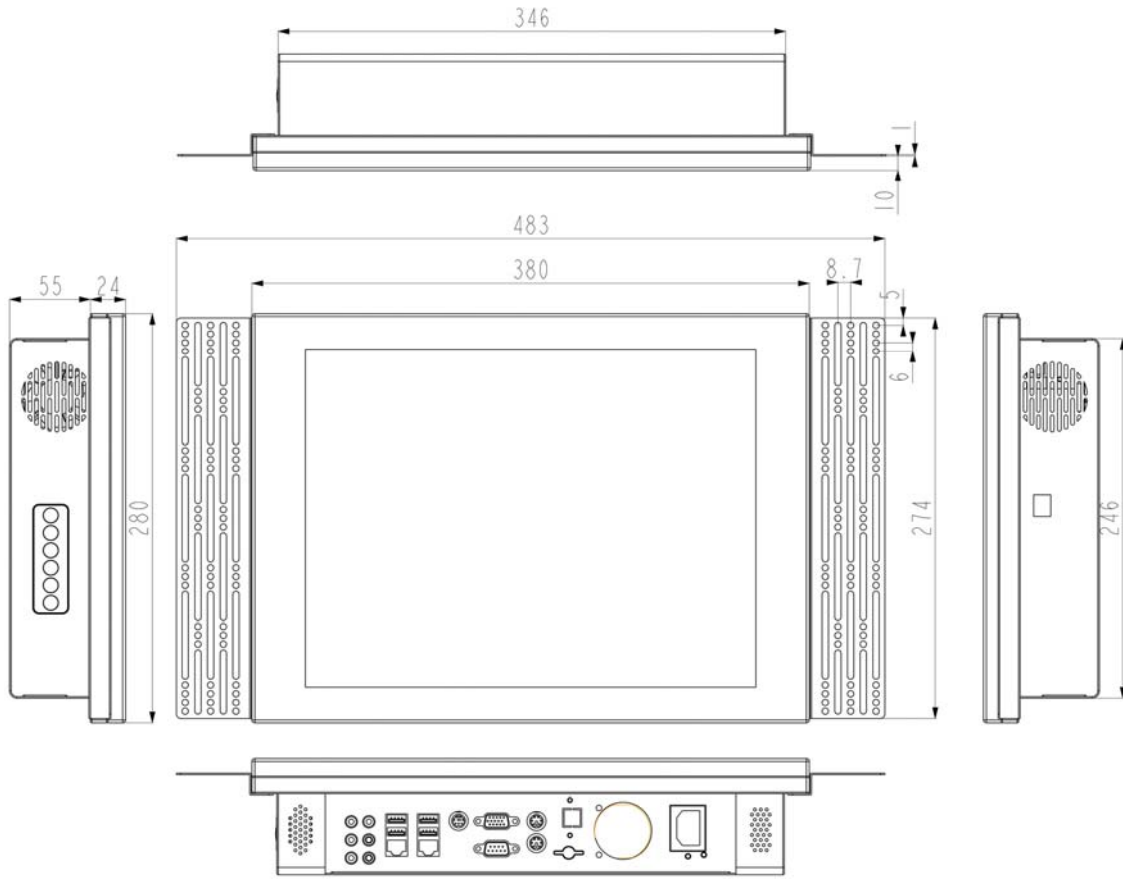
Easy Install HDD Tray:
One screw away to remove the HDD easy for access and service

VESA mounting at the back

SPECIFICATIONS:

System	
Motherboard Type	Intel
Form Factor	Mini ITX
System Chipset	Intel945GM + ICH7M
CPU Supporting	Intel Core 2 Duo T5500 (1 66GHz)
FSB	667MHz
DIMM Socket	2x 240-pin dual-channel DDR2/667 up to 4GB; default 1GB
Graphic	Integrated Intel 945GM
Audio	Realtek ALC883 HD Audio
LAN Controller	Dual 10/100 Base-T Ethernet
I/O Connector	RJ-45 x2, Serial Port x4 (default 1), USB Port x4. VGA Port x1, HDTV-out x1, PS/2 Mini DIN Keyboard Port & Mouse Port, Mini PCI
Display	
Size	19" TFT LCD
Contrast Ratio	800:1
Brightness	250cd/m2
Resolution	1280 x 1024
Mechanical	
Touch	default Taiwan 5-wire Resistive Touch or ELO by option
Device	2.5" SATA HDD x1, default 80GB
Power Supply	60W ATX Power Supply
Bezel	Stainless (Optional Black Plastic Bezel)
Dimension	357 x 466 x 87mm
Temperature &	0°C to 40°C, 10% to 90% non-condensin
Vibration	5~17,0.1"double amplitude displacement,17~640Hz
Shock	10-25Hz(X,Y,Z direction 2G,30 minutes)

Wall Mount Plate Kit:



Mechanical Drawing:

