

Front Stainless PANEL PC

17" Intel Core 2 Duo PANEL PC

Intel945GM up to Core 2 Duo CPU
Stainless Front Bezel
ELO Touch by option



Model: **PNPC1700C2D**

FEATURES:

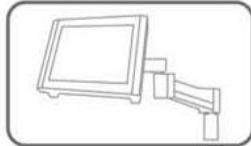
Built-in Speaker



IP-54
Water Splash Compliant



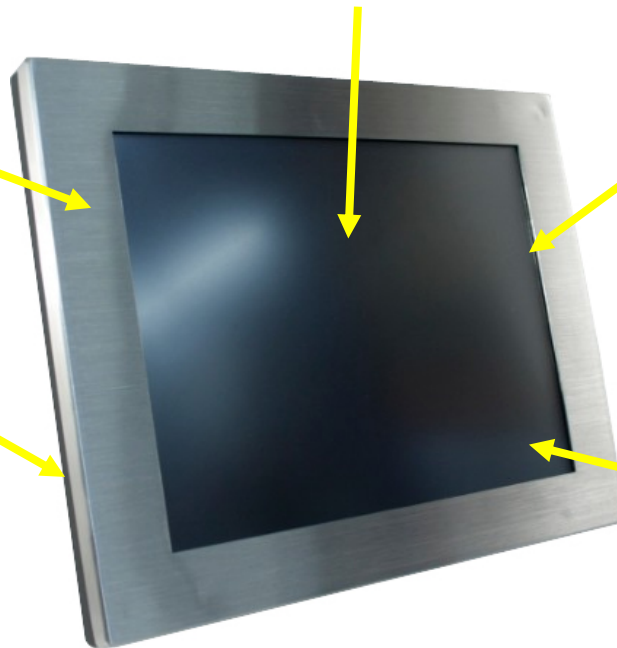
VESA-Mounting



Intel C2D Panel PC: all in one PC with stainless steel Front bezel.

Stainless Steel Front Bezel:
Reduced dirt adhesion for easier cleaning and maintenance

Built in Speakers at the side



IP65/NEMA4:
Front Water and dust proof. Totally protected against dust, Protected against low pressure jets if water from all directions, limited ingress permitted

5 Wire Resistive Touch:
long life. Its durability and reliability are the features which make it enable to incorporate in heavy industry machinery, commercial markets and electronic equipment

Side Easy Access I/O:

- COM3
- Side ON/OFF.
- LED Light



Easy Install HDD Tray:
One screw away to remove the HDD easy for access and service

VESA mounting at the back

SPECIFICATIONS:

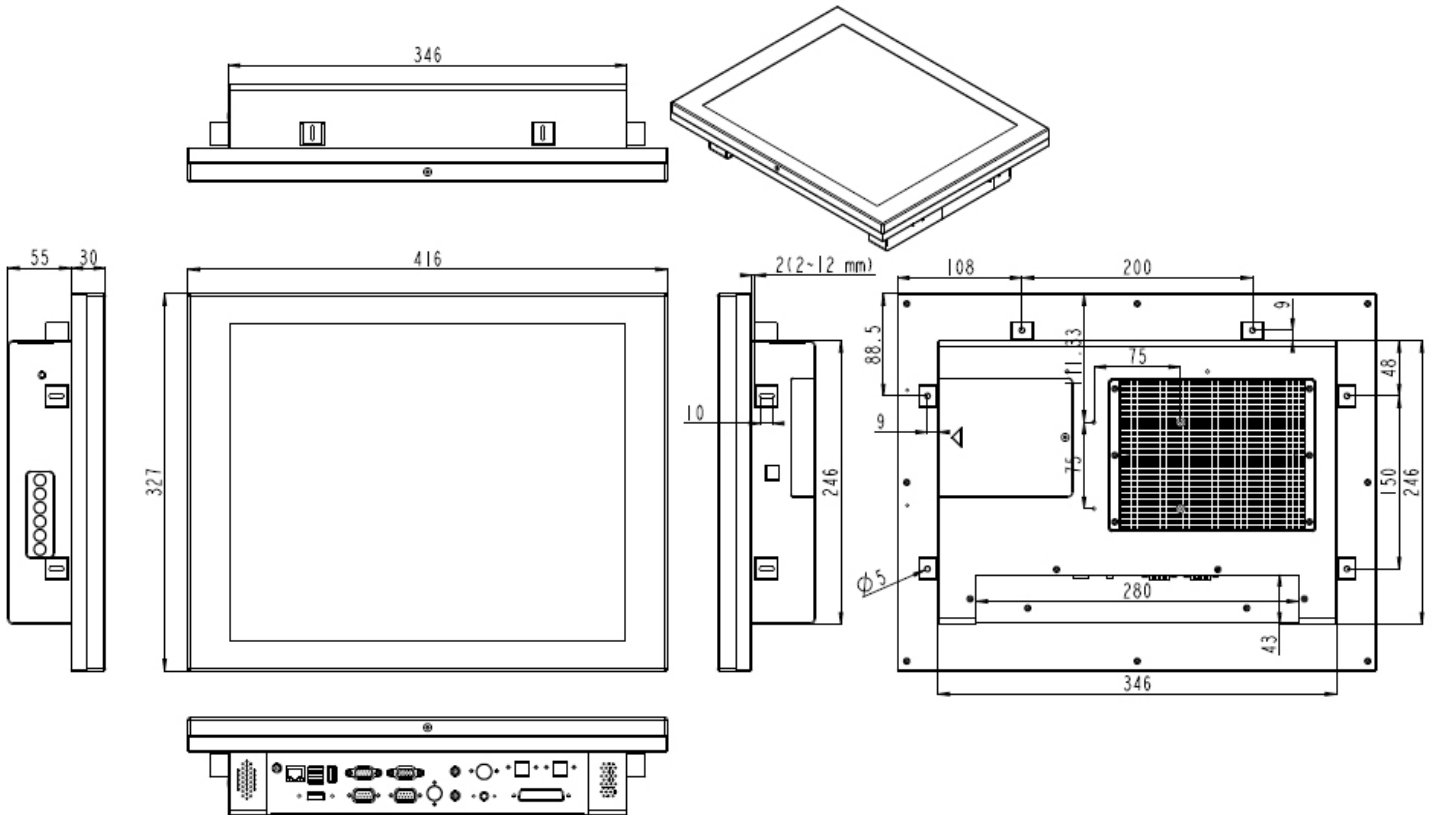
System	
Motherboard Type	Intel
Form Factor	Mini ITX
System Chipset	Intel945GM + ICH7M
CPU Supporting	Intel Core 2 Duo T5500 (1 66GHz)
FSB	667MHz
DIMM Socket	2x 240-pin dual-channel DDR2/667 up to 4GB; default 1GB
Graphic	Integrated Intel 945GM
Audio	Realtek ALC883 HD Audio
LAN Controller	Dual 10/100 Base-T Ethernet
I/O Connector	RJ-45 x2, Serial Port x4 (default 1), USB Port x4. VGA Port x1, HDTV-out x1, PS/2 Mini DIN Keyboard Port & Mouse Port, Mini PCI

Display	
Size	17" TFT LCD
Contrast Ratio	450:1
Brightness	250cd/m2
Resolution	1280 x 1024

Mechanical	
Touch	default Taiwan 5-wire Resistive Touch or ELO by option
Device	2.5" SATA HDD x1, default 80GB
Power Supply	60W ATX Power Supply
Bezel	Stainless (Optional Black Plastic Bezel)
Dimension	327x415x89mm
Temperature &	0°C to 40°C, 10% to 90% non-condensin
Vibration	5~17,0.1"double amplitude displacement,17~640Hz
Shock	10-25Hz(X,Y,Z direction 2G,30 minutes)



Dimensions:



Wall Mount Plate Kit:

