

Fanless Front Stainless PANEL PC

12" Intel ATOM Fanless PANEL PC

True Fanless ATOM-D525 Panel PC
IP65 in Front & Side Frame
Easy Install HDD Tray
Anti-vibration HDD kit
Compact & Slim Design



Model: PNPC1210C2D

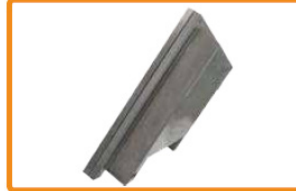
FEATURES:



■ IP65 in Front & Side Frame



■ HDD Anti-Vibration Easy-install kit

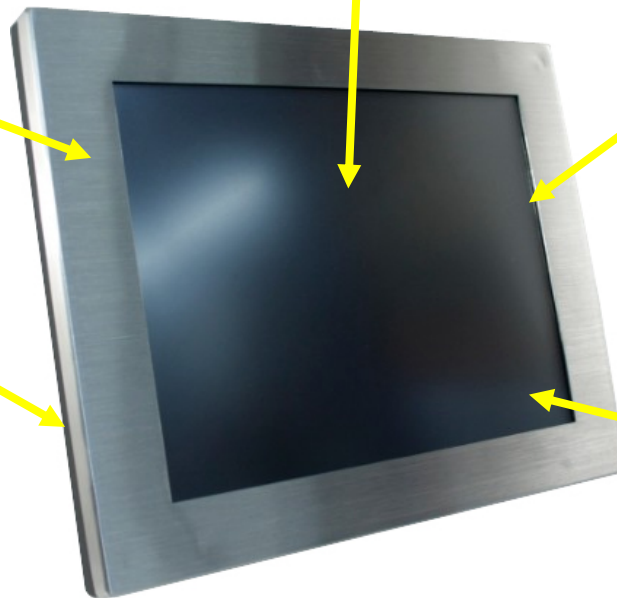


■ Ultra Slim Design

True Fanless ATOM Panel PC: Fanless, lower power consumption all in on PC with stainless steel Front bezel.

Stainless Steel Front Bezel:
Reduced dirt adhesion for easier cleaning and maintenance

Built in Speakers at the side



IP65/NEMA4:
Front Water and dust proof. Totally protected against dust, Protected against low pressure jets if water from all directions, limited ingress permitted

5 Wire Resistive Touch:
long life. Its durability and reliability are the features which make it enable to incorporate in heavy industry machinery, commercial markets and electronic equipment



i-Tech Company LLC
TOLL FREE: (888) 483-2418 • EMAIL: info@iTechLCD.com • WEB: www.iTechLCD.com

Side Easy Access I/O:

COM3

Side ON/OFF.

LED Light



Easy Install HDD Tray:
One screw away to remove the HDD easy for access and service

VESA mounting at the back

SPECIFICATIONS:

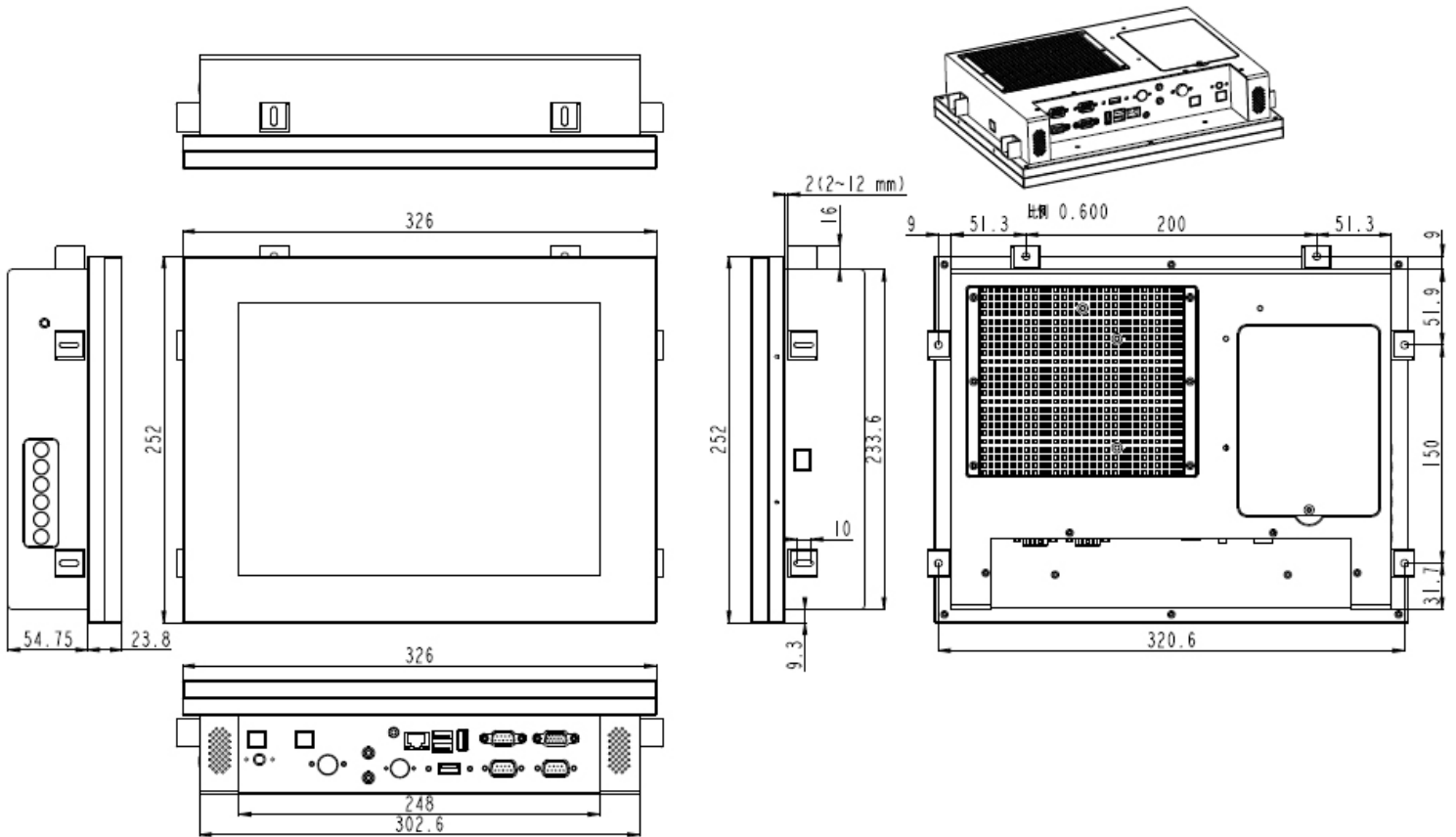
<i>System</i>	
Motherboard Type	Intel
Form Factor	Mini ITX
System Chipset	Intel NM10
CPU Supporting	Intel ATOM Dual Core D525(45nm/1.8GHz/1MB L2 cache)
FSB	800 MHz
DIMM Socket	DDR3 RAM (Up to 4GB) default 1GB
Graphic	Intel Pineview-D integrated graphic engine
Audio	Realtek ALC662 6-Channel HD Audio CODEC
LAN Controller	Realtek RTL8111E 10/100/1000 Mb/s
I/O Connector	RJ-45 LAN x 1 / Serial port x 4 / USB Port x 4 / VGA Port x 1 / Parallel Port x 1 PS/2 Mini DIN keyboard port & mouse port / Audio Line-in/out and Mic-in Jacks

<i>Display</i>	
Size	12" 1024x768
Contrast Ratio	400:1
Brightness	250cd/m2

<i>Mechanical</i>	
Touch	Default Taiwan 5wire resistive touch
Device	default 160GB 2.5" SATA HOD
Power Supply	ADAPTER 12V/7A 84W (S-JACK-4) (RoHS)
Bezel	Stainless
Dimension	326 x 76.05 x 252 mm (W x D x H)
Operating Temp	0°-40°C (Fanless)
Relative Humidity	10%-90%@50°C. non-condensing
Vibration	5-17.01" double amplitude displacement. 17-640HZ.1 5G acceleration perk to perk
Shock	10-25Hz(X.Y.Z direction 2G.30 minutes)
Features	IP65 in front & side frame



Dimensions:



I/O Port:

- A. Audio Line Out/Optical SPDIF_Out
- B. RJ45 Gbe Ethernet
- C. USB 2.0x4
- D. COM port x 3

- E. VGA port
- F. PS/2 mouse and keyboard port
- G. 4 Pin 12V DC in
- H. 12V DC in
- I. Parallel Port

Wall Mount Plate Kit:

