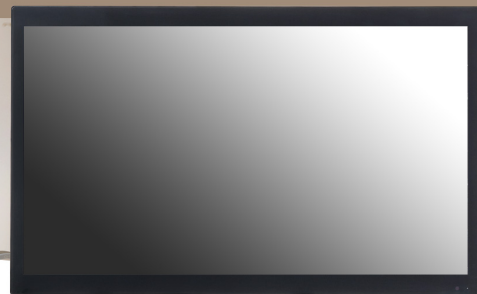


COLOR MEDICAL DISPLAY

40" 8MP Quad FHD Color Medical Display

MODEL: MOV40K



8MP Quad FHD monitor is ideal for supporting multiple images on the display. This size of Quad Full HD monitor provides highly compatible inputs, and its consistent, reliable functionality can be adapted to diverse medical environment by users. This monitor is precisely designed for various applications for OR, radiology, healthcare center, educational conference, military and broadcasting.

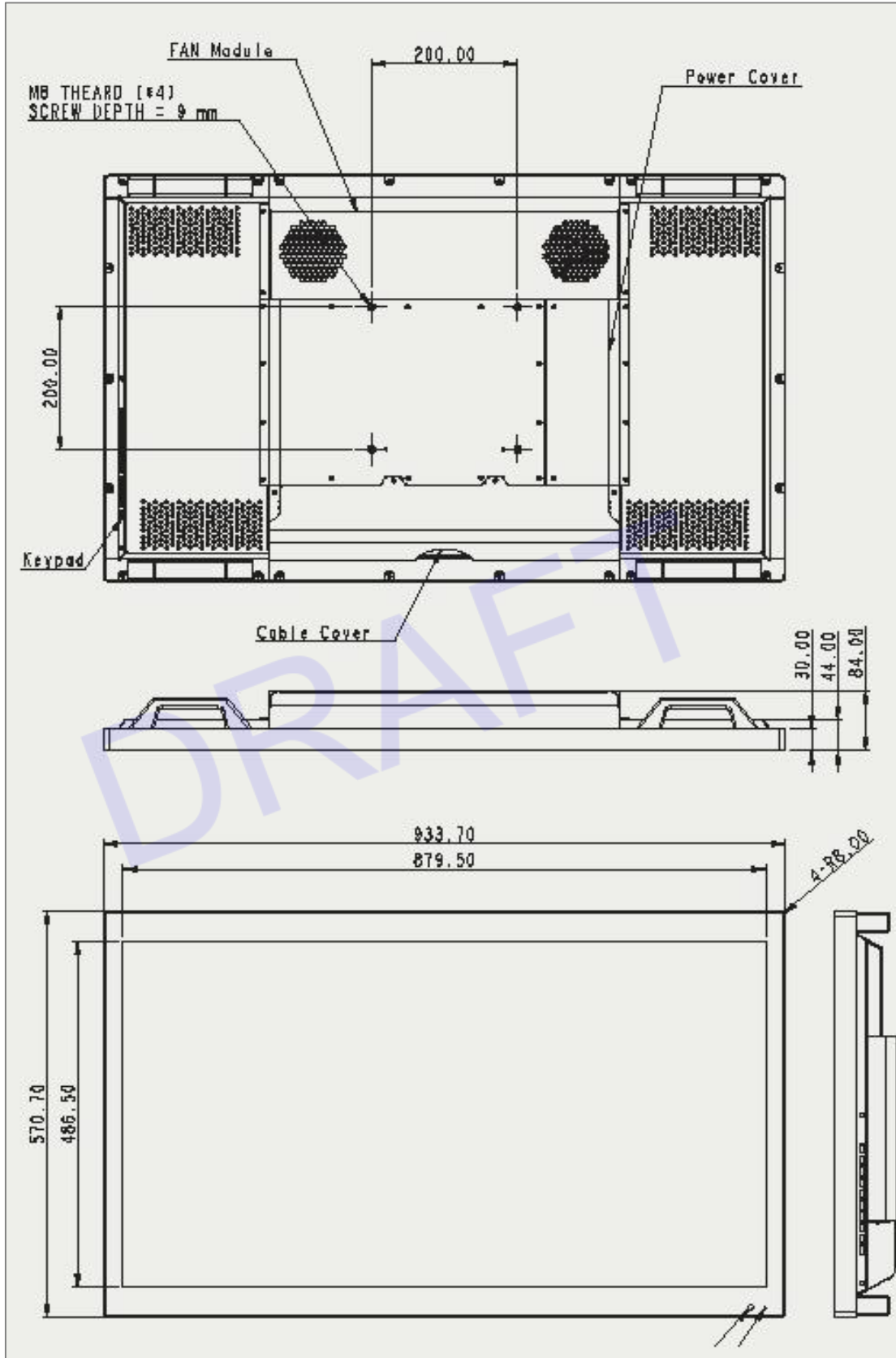
SPECIFICATIONS

Panel spec	Type	MVA(LED)
	Resolution	3840(H)x2160(V)
	Active Screen Size (inch)	39.5
	Display Area (mm)	878.112(H)x485.352(V)
	Pixel Pitch (mm)	0.076225(H)x0.334(V)
	Viewing Angel (degree)	88(L)/88(R)
	Response Time (ms)	8.5(GTG)
	Brightness (nits)	550(typ.)
	Contrast Ratio	4800:1 (typ.)
	NTSC (%)	88
	Display Colors (bits)	24
I/O Interface	Input Terminal	DVI-D Dualx2/DP*2
	Service Interface	RS232(D-sub 9pin)
	USB Hub	x1 upstream & x2 downstream
Features	OSD Languages	English/Spanish/French/German/Simple Chinese/Japan
	Auto Luminance Stabilization	Yes
	Front Sensor	Yes
	Uniformity Compensation	Yes
	Gamma LUT Table (bits)	18
	Gamma Selection	DICOM/Calibration/1.8/2.0/2.2/2.4
	Color Temperature	Neutral-6500K/Warm-5400K/Cool-9300K/USER
Remote Control	Yes	
Power Requirements	Power Supply	AC 100V~240V
	Power Consumption (W)	<300
Physical Characteristics	Dimensions(W×H×D) (mm)	933.0x570.7x84.0(w/o Stand)
	Weight (Kg)	22.5(w/o stand)
	Protection Shield	yes
	Ipx	Yes(IP65-Front)
	VESA Mounting (mm)	400x400
Operating Temperature		10~40
Certifications and Compliances		NA

*Specifications subject to change without notice, not responsible for typographical errors.

MECHANICAL DRAWINGS

This is subject to change without Notice. Final Drawings Will be Provided for Approval after Order.



Drawing No.: MOV40K-11042022-V1