

9U 20" TFT LCD Rackmount Display Panel 1600x1200 with DVI-D + VGA Video Input

MODEL: NP920



BENEFITS:

- 9U 20" LCD display panel
- 1600 x 1200 native resolution / 16.7M colors
- DVI-D + VGA video input
- 2-year standard warranty (upgradable up to 5 years)

SPECIFICATIONS

Video	
Video input	VGA + DVI-D single link

LCD Panel	
Panel size (diagonal)	20.1"
Native resolution	1600 x 1200
Brightness (cd/m ²)	300
Contrast ratio (typ.)	800 : 1
Colors	16.7 M
Viewing angle (L/R/U/D)	89/89/89/89
Response time (ms)	16
Dot pitch (mm)	0.255
Display area (mm)	408H x 306V
Surface treatment	Anti-glare, Hard-coating
Surface hardness	3H
Backlight type	LED
MTBF (hrs)	45,000

Physical		
Dimensions (W x D x H)	Product	480 x 64 x 399 mm 18.9 x 2.5 x 15.7 inch
	Packing	583 x 124 x 529 mm 23 x 4.9 x 20.8 inch
Weight	Net	8.5 kg / 18.7 lb
	Gross	11 kg / 24.2 lb

Power		
Input	Auto-sensing 100 to 240VAC, 50 / 60Hz	
Consumption	Screen on	Max. 45W
	Power saving mode	Max. 2W
	Power button off	Max. 1W

OPTIONS:

- HDMI 1.3 + Audio input & output * (AV2.2H)
- Audio input & output (AV2.2D)
- 3G / HD / SD-SDI Broadcast-grade input (SDI)
- Multi display OSD controller (MSC)
- MIL-type or lockable connector
- IP65 front protection (IP65)
- DC power : 12V / 24V / 48V / 125V / 250V
- Touchscreen : Resistive 1-pt

Video Option		
Digital	HDMI	HDMI 1.3 / HDCP 1.1

Audio Option		
Input	Connector	3.5mm stereo jack
	Impedance / Power level	30kQ / 750mV
Output	Connector	3.5mm stereo jack
	Resistance / Power level	30kQ / 2.8V
Speaker	Dual stereo	2W x 2

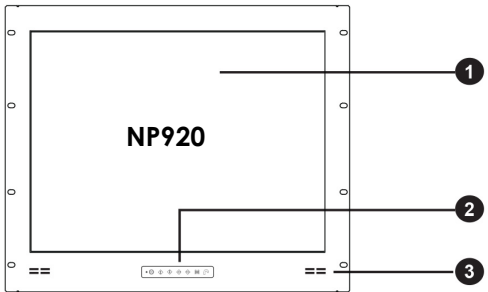
Environment	
Operating temp.	0 to 55°C degree
Storage temp.	-20 to 60°C degree
Operating humidity	20~90%, non-condensing
Storage humidity	5 ~90%, non-condensing
Operating altitude	16,000 ft
Non-operating altitude	40,000 ft
Shock	10G acceleration (11ms duration)
Vibration	10~300Hz 0.5G RMS random vibration

Compliance	
EMC	FCC, CE
Safety	CE / LVD & UKCA
Environment	RoHS3 & REACH / WEEE

*Specifications subject to change without notice, not responsible for typographical errors.

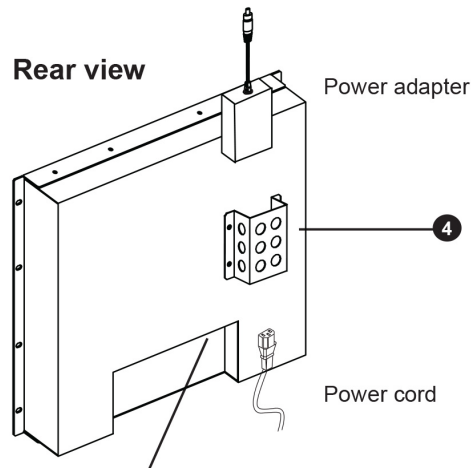
STRUCTURE DIAGRAM

Front view



- ① LCD panel
- ② LCD membrane
- ③ Audio speaker
- ④ Power adapter basket

Rear view

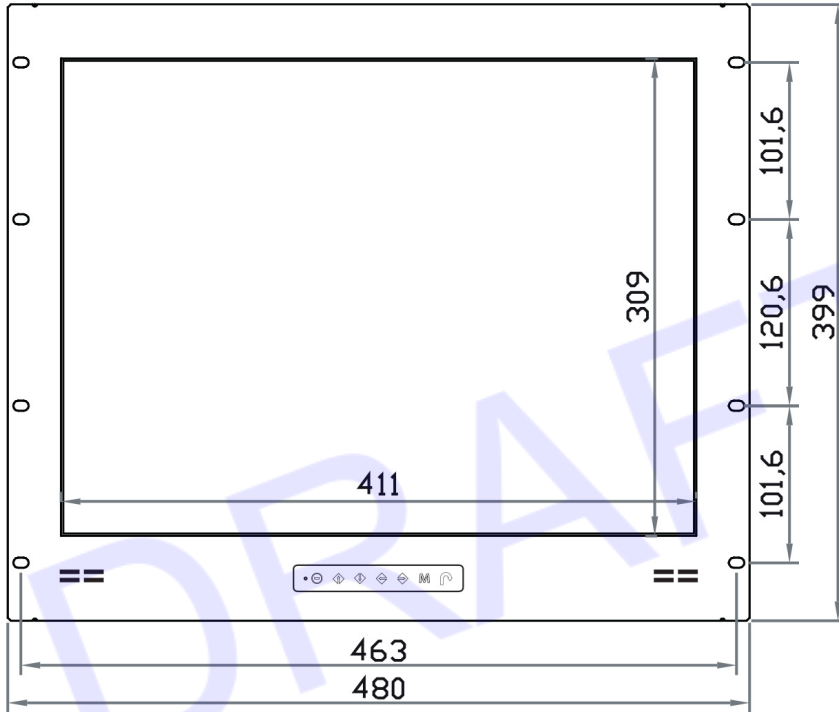


- Basic I/O** : DVI-D + VGA
- AV2.2D upgrade** : DVI-D + VGA + audio
- AV2.2H upgrade** : HDMI + VGA + audio
- Options** : USB for touchscreen & DC power
SDI (AV3.0 upgrade required)

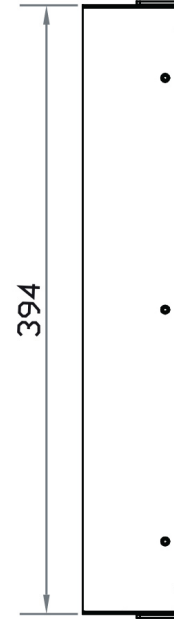
DIMENSION

This is subject to change without Notice. Final Drawings Will be Provided for Approval after Order.

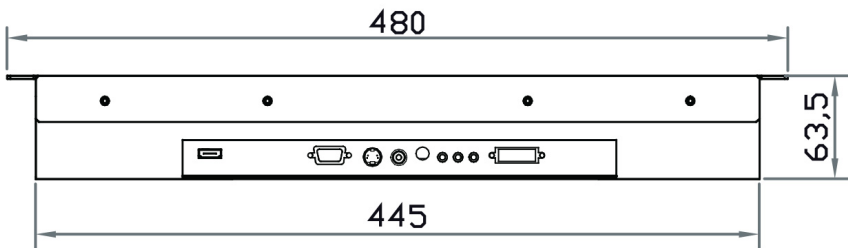
Front View



Side View



Bottom View



UNIT : mm
1mm = 0.03937 inch

Drawing No.: NP920-11302022-V1