

Fanless Vehicle NVR

10-Port PoE Fanless Vehicle NVR Powered by Intel Core i7-7600U CPU, MIL-STD-810G and E-mark certified, 2x COM, 4x USB, 6x DI/DO, optional CAN bus, Audio, DVI/VGA

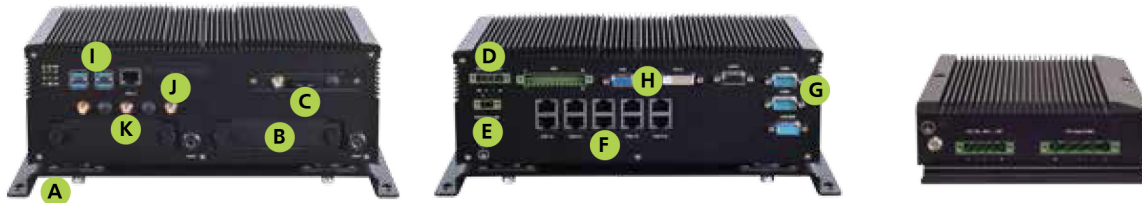
Model: LPC-V56-i7-V2



FEATURES

- Intel Core i7-7600U Dual Cores Processor
- MIL-STD-810G and E-mark certified
- 10x PoE ports with Intel i210IT, 1x GbE RJ45 with i210IT
- External removable Mini-PCle x1 with 2 SIM sockets for 4G-LTE, Internal Mini-PCle x2: one for Wi-Fi, one for 3G/4G-LTE with 2 external SIM slots
- 2 x Swappable 2.5" HDD drive bays
- External power adapter with Li-ion battery for 15 min. backup
- 2x COM, 4x USB, 6x DI/DO, optional CAN bus, Audio, DVI/VGA

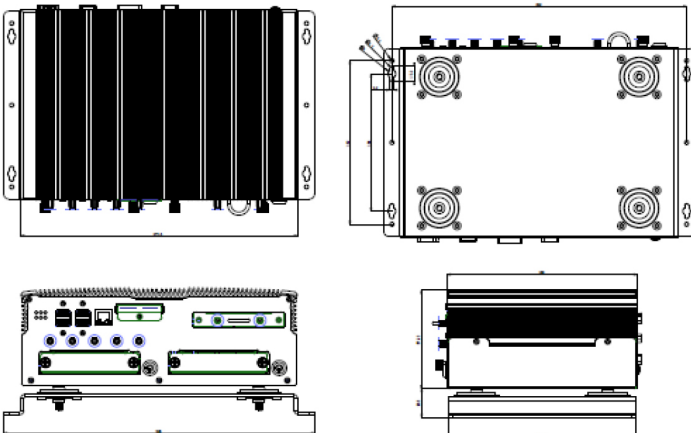
PRODUCT I/O VIEW



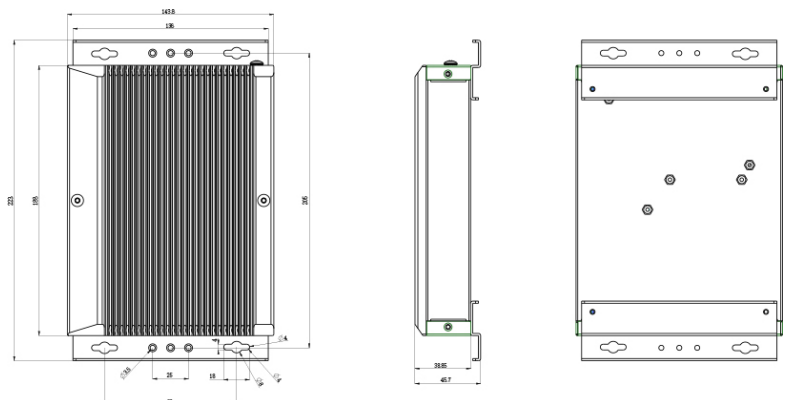
- | | | | |
|--------------------------------------|-------------------------|--------------------|------------------|
| A Advanced anti-vibration kit | D DC Input | G COM x 2 | J SIM x 2 |
| B Swappable Drive Bay | E DC Relay & PoE | H VGA / DVI | K Antenna |
| C Swappable Mini-PCle | F PoE x 10 | I USB | |

MECHANICAL DRAWING

Dimensions 308 x 219 x 120.8 mm (with mounting)



Dimensions 223 x 143.8 x 43.5 mm



Drawing No.: LPC-V56-i7-V2-11092022-V1

SPECIFICATIONS

System	
CPU	Intel® Core™ i7-7600U
Frequency	Up to 2.8 GHz
Core Number	Dual-core
BIOS	AMI SPI Flash BIOS
Chipset	SoC
Processor Graphics	Intel integrated HD Graphics 620
Fanless	
	Yes
Memory	
Technology	DDR4 2133 SO-DIMM Socket x2
Max.	Up to 32GB
Capacity	
Ethernet	
Controller	11x RJ45 with 3x Intel i210IT
Speed	10/100/1000 Mbps
Interface	RJ-45
PoE	10x IEEE 802.3af POE ports
Storage	
Type	SATA
Installation	2x Removable 2.5" drive bays (HDD/SSD is not included)
Type	mSATA
Installation	mSATA socket
I/O	
COM	2x RS-232/422/485 with RI/5V
USB	2x USB 3.0 Type A, 2x USB 2.0 Type A
Digital I/O	6x DI 5V or 12V TTL selectable
	6x DO 12V TTL, Max. 100mA
	2x IGN-DI of ignition control to MCU
Antenna	7x SMA antenna holes (includes GPS)
Audio	1x DB9 for MIC-in and Line-out
Display	DVI-D/VGA
CAN bus	1x 2x5 pin header for output connection to DB-9 male external connector, 1x Onboard connector to support optional CAN Module

Expansion	
PCIe	External removable Mini-PCIe x1 with 2 SIM slots, Internal Mini-PCIe x2 with 2 external SIM slots
Cooling	
Processor	Passive CPU heatsink
System	Fanless design with corrugated aluminum
Environment	
Operating Temperature	-20~60°C / -4~140°F (without battery backup)
Storage Temperature	-20~70°C / -4~158°F
Relative Humidity	5%~95% @ 40°C / 104°F (Storage Level)
Miscellaneous	
Hardware	Fintek F81866AD-I integrated watchdog timer
Monitoring	1~255 level
Internal RTC with Li Battery	Yes
Mechanical	
Dimension (W x D x H)	273.8 x 219 x 92.2 mm (without mounting) 308 x 219 x 120.8 mm (with mounting)
Weight	5.5 kg
Mounting	Advanced anti-vibration kit
Power	
Connector	3-pin terminal block (+,-,ignition)
Input	DC 9~36V (+, -, ignition) supports ATX mode support ignition delay on/ off control
Driver Support	
Microsoft Windows	Win10 IoT
Linux	Redhat Enterprise 5, Fedora 14, Linux Kernel 2.6.18 or later
Certification	
EMC	CE Class A, FCC Class A, RoHS
Safety	E-13 include ISO-7637-2