

High Brightness Panel Mount Full IP65/NEMA4 Water Proof LCD

High Brightness 1000nits Panel Mount with Resistive TouchScreen and Full IP65/NEMA4 Water Proof 15" LCD (Model: LMR-1500HBTR)

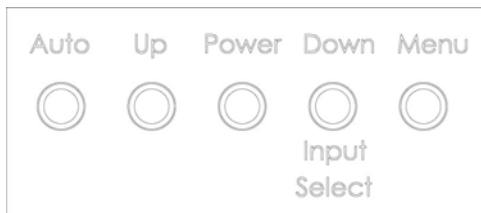
Features:

- IP65 Front and Rear Waterproof
- 15" LCD Screens
- 2 Video RCA Inputs
- 1 Audio RCA Output
- Low Power Consumption
- 5 Wire Resistive Touch Screen

Specifications:

DISPLAY SCREEN	
SIZE	15.1 " TFT (Diagonal)
Active Area	304.128(W) x 228.096 mm(H)
ELEMENT	Color TFT LCD
RESOLUTION	1024 x 768 maximum
LCD Display Color	16.2M colors
DOT PITCH	0.297 x 0.297 mm
POWER SOURCE	AC/DC Adapter 12 V
POWER CONSUMPTION	12V, 1.76A , 21.12w
OPERATING TEMPERATURE	0°C ~ 60°C
STORAGE TEMPERATURE	-20°C ~ 65°C
BRIGHTNESS	1000 cd/m ²
RESPONSE TIME	8 ms (Tr+Tf)
CONTRAST	700 : 1
VIEWING ANGLE	Vertical Up70° Down 70°, Horizontal : ± 80°
INPUT SIGNAL	Audio / Video Composite: NTSC/PAL/SECAM 1 Vp-p. 75Ω RCA x 1 S-Video socket x 1 PC RGB Analogue Input 15 Pin D-Sub x1
PLUG & PLAY	VESA DDC2B
GREEN FUNCTION	VESA DPMS
OSD CONTROL FUNCTION	Brightness, Contrast, Color, Volume, Mute
OVER ALL DIMENSION	412.0 x 345.0 x 50.0 (mm)
REGULATIONS	Safety: CE, FCC meet
WEIGHT	8Kgs

ON SCREEN DISPLAY SETTINGS (OSD)



- To turn on the OSD menu: Press power button.
Press Menu button.
- When OSD menu is on .
- Select option within icon menu: Use up or down buttons.
Then press Menu to make select.
- Increase/decrease setting : Use up or down buttons.
- To load the presetting (default setup) :

Model: LMR-1040HBTR

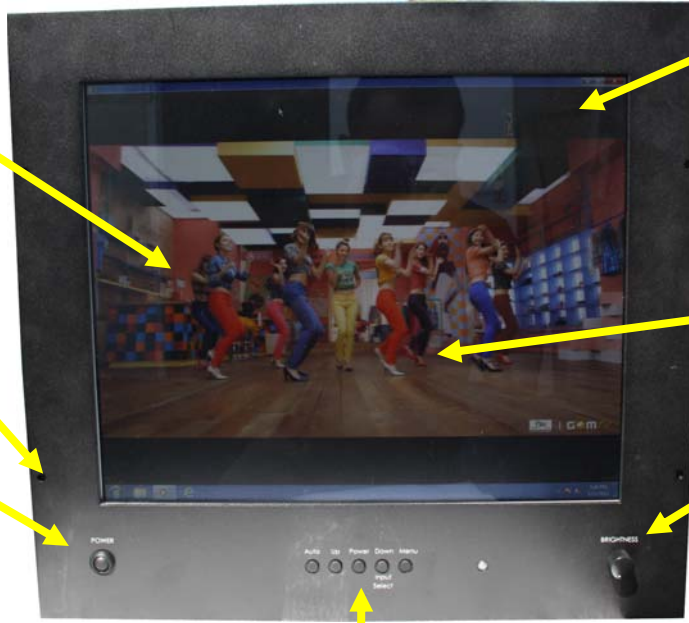


FRONT Features

HB Options: High Brightness & High Contrast LCD: Offers superior readability under sunlight. High Brightness (All Above 1000 nits) and contrast ratio assure excellent visibility even in bright outdoor environments.

Left and Right Front Panel Mounting holes

Front Power On/off Switch:



IP65/NEMA4X front and back Bezel: It will stand up to harsh, wet and dirty environments, Falling dirt, rain, sleet, snow, windblown dust, external ice formation, splashing water, hose-directed water.

Front Protection Glass

Front Dimming Knob: Changing brightness control.

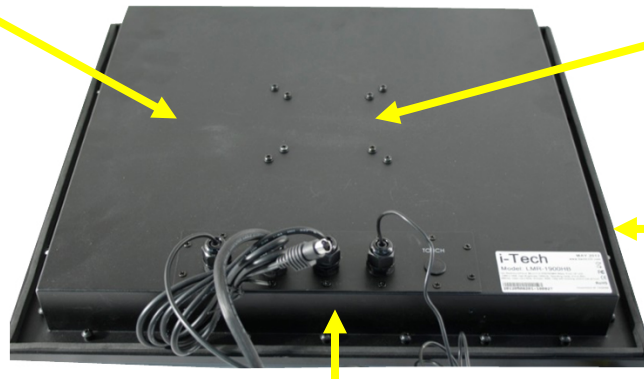
Front Water proof OSD: Auto, Up, Power, down/Input Select/ Menu

BACK Features

IP65/NEMA4X front and back Bezel: It will stand up to harsh, wet and dirty environments, Falling dirt, rain, sleet, snow, windblown dust, external ice formation, splashing water, hose-directed water.

VESA Mounting

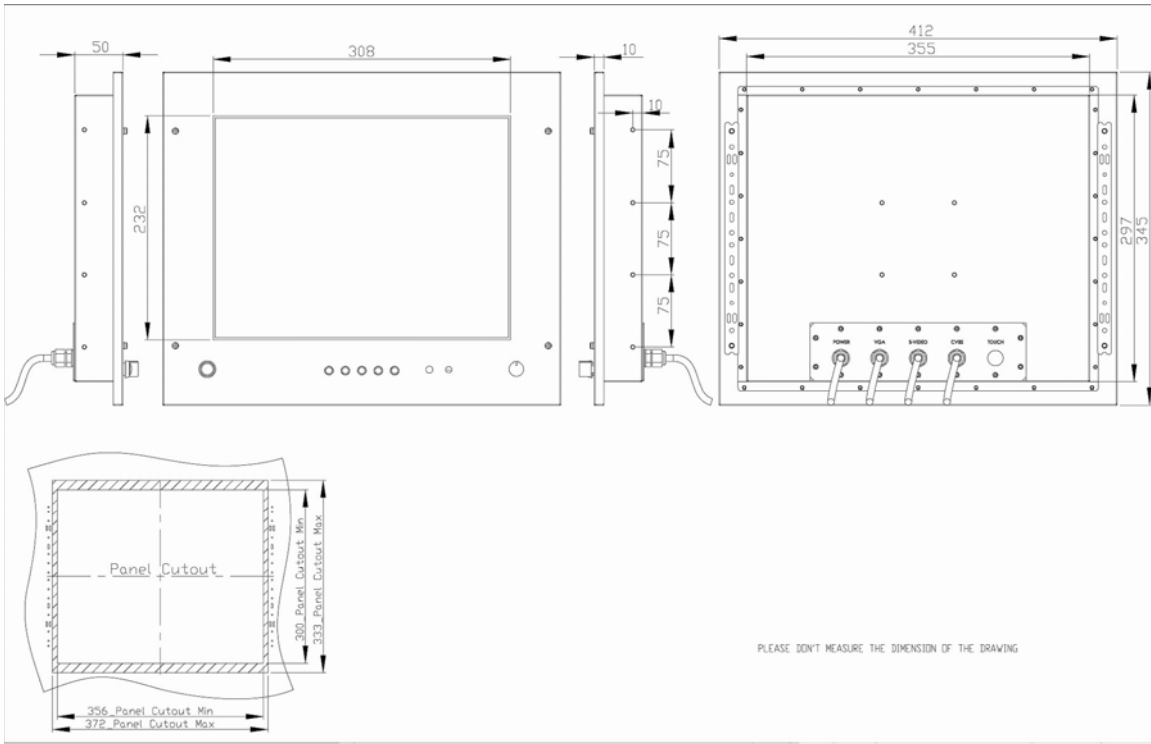
Panel Mount Gas Gasket for waterproof



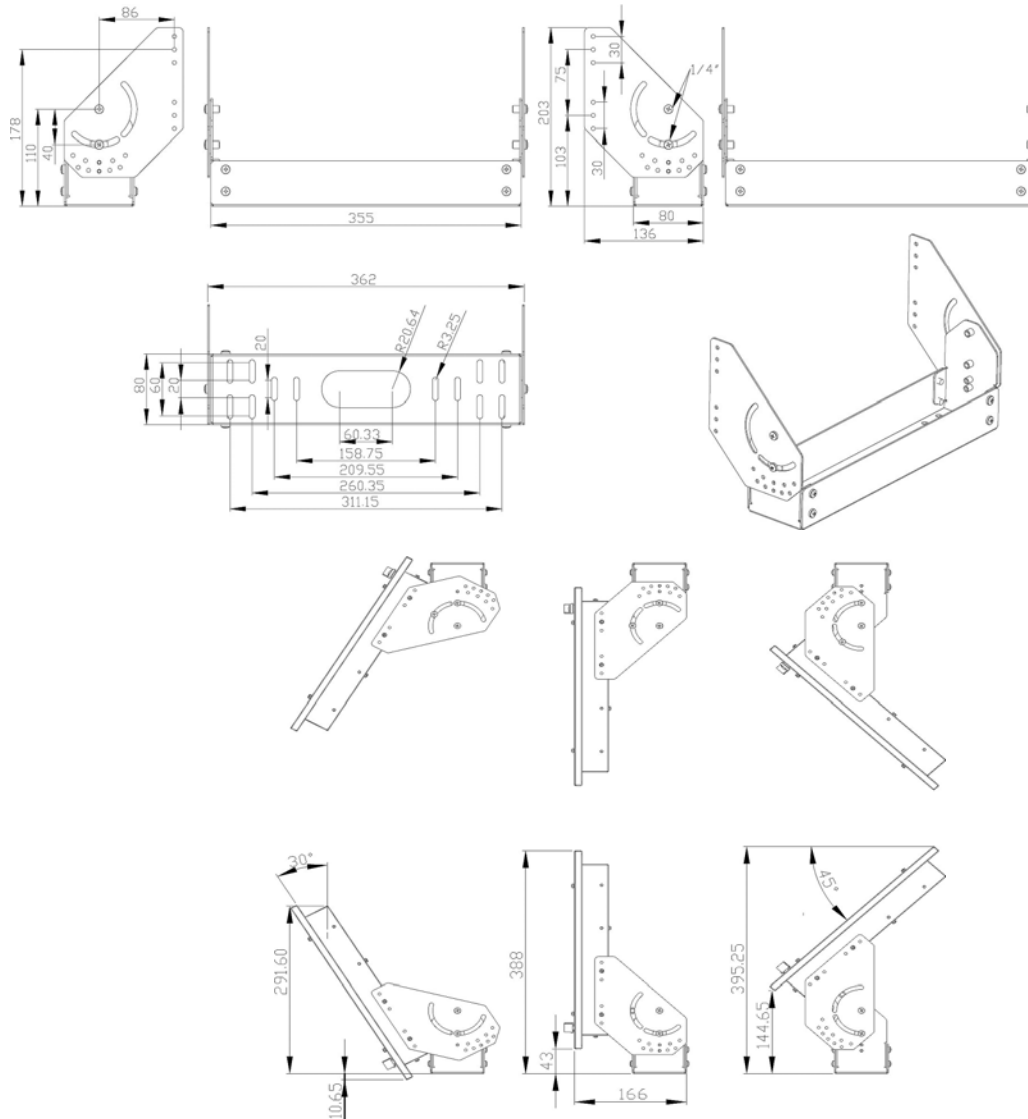
All Water proof connection: Power, VGA, S-Video, CVBS, Optional Touch.



Mechanical Drawing Monitor



Optional Heavy Duty Bracket



VGA SUPPORT TABLE

Resolution	Horiz. Freq.(KHz)	Vert. Freq.(Hz)	Polarity
640X350	31.46	70	+/-
	37.86	85	+/-
720X350	31.46	70	+/-
	37.86	85	+/-
640X400	31.46	70	-/+
	37.93	85	-/+
	24.82	56	-/+
720X400	31.46	70	-/+
	37.86	85	-/+
640X480	31.46	59.9	-/-
	35.00	66.6	+/-
	37.86	72.8	-/-
	37.50	75.0	-/-
	43.27	85.0	-/-
800X600	35.15	56.2	+/+
	37.87	60.3	+/+
	48.07	72.2	+/+
	46.87	75.0	+/+
	44.40	70.0	+/+
	53.67	85.0	+/+
832X624	49.72	74.5	-/-
1024X768	48.36	60.0	-/-
	56.47	70.1	-/-
	58.08	72.9	
	60.02	75.0	+/+
	68.68	84.9	+/+
1152X864	54.90	60.0	
	64.19	70.2	+/+
	67.50	75.0	-/-
	76.30	80.0	
	77.09	84.9	