

High Brightness Panel Mount Full IP65/NEMA4 Water Proof LCD



High Brightness 1500nits Panel Mount Full IP65/
NEMA4 Water Proof 10.4" LCD
(Model: LMR-1040HB2)



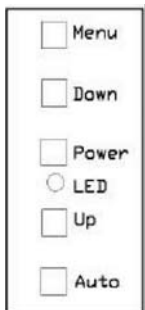
Features:

- IP65 WATERPROOF
- Single Key Brightness Control
- Hot Key for Input Source Select

Specifications:

DISPLAY SCREEN	
SIZE	10.4 INCH
Active Area	211.2(W) x 158.4 mm(H)
ELEMENT	COLOR TFT LCD
RESOLUTION	800 x 600
DOT PITCH	0.264 (W) x 0.264 (H)mm
POWER SOURCE	DC 12V
POWER CONSUMPTION	10W Typ.
OPERATING TEMPERATURE	0°C ~ 50°C
STORAGE TEMPERATURE	-20°C ~ 60°C
BRIGHTNESS	1500 cd/m ²
CONTRAST	500 : 1
OPTICAL RISE TIME/FALL TIME	10/25 Typ.
VIEWING ANGLE	Vertical +35°/-65°, Horizontal : ± 60°
PC INPUT	RGB Analogue Input 15Pin D-sub x 1
VIDEO INPUT	1Vpp 75Ω, RCA x 1, S-Video x 1.
PLUG & PLAY	VESA DDC2B
GREEN FUNCTION	VESA DPMS
OSD CONTROL FUNCTION	Brightness, Contrast, Color, Volume, Mute
OVER ALL DIMENSION	305.0 x 256.0 x 44.0 (mm)
WEIGHT	4Kgs

ON SCREEN DISPLAY SETTINGS (OSD)



- To turn on the OSD menu: Press power button. Press Menu button.
- When OSD menu is on .
- Select option within icon menu: Use up or down buttons.
- Then press Menu to make select.
- Increase/decrease setting : Use up or down buttons.
- To load the presetting (default setup) : Use menu button and power button. (menu +power button)

Hot-keys of OSD Control

- Power Button :Power on/off button.
- Up & down Button :Use to select the input source (VGA/Composite/S-Video), Press up to increase and down to decrease
- Menu Button : Switch to on/off mode.
- Auto Button: Auto Adjust screen position.

Model: LMR-1040HBTR



FRONT Features

HB Options: High Brightness & High Contrast LCD: Offers superior readability under sunlight. High Brightness (All Above 1000 nits) and contrast ratio assure excellent visibility even in bright outdoor environments.

Left and Right Front Panel Mounting holes

Front Power On/off Switch:



IP65/NEMA4X front and back Bezel: It will stand up to harsh, wet and dirty environments, Falling dirt, rain, sleet, snow, windblown dust, external ice formation, splashing water, hose-directed water.

Front Protection Glass

Front Dimming Knob: Changing brightness control.

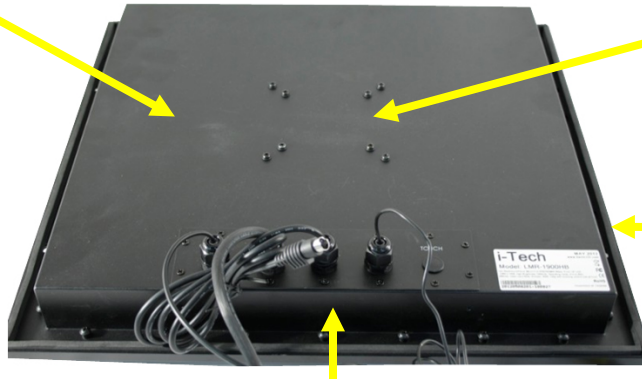
Front Water proof OSD: Auto, Up, Power. down/Input Select/ Menu

BACK Features

IP65/NEMA4X front and back Bezel: It will stand up to harsh, wet and dirty environments, Falling dirt, rain, sleet, snow, windblown dust, external ice formation, splashing water, hose-directed water.

VESA Mounting

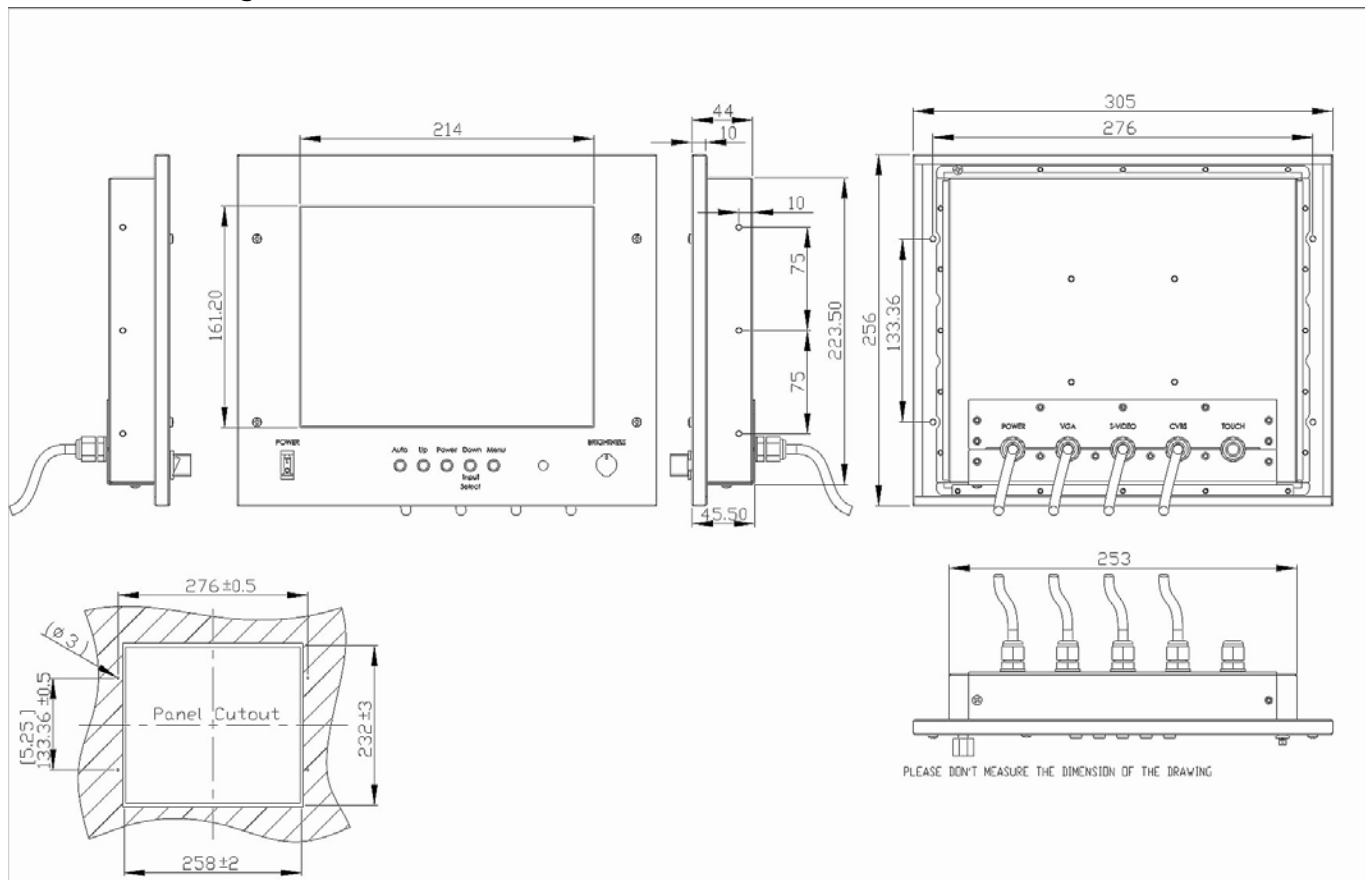
Panel Mount Gas Gasket for waterproof



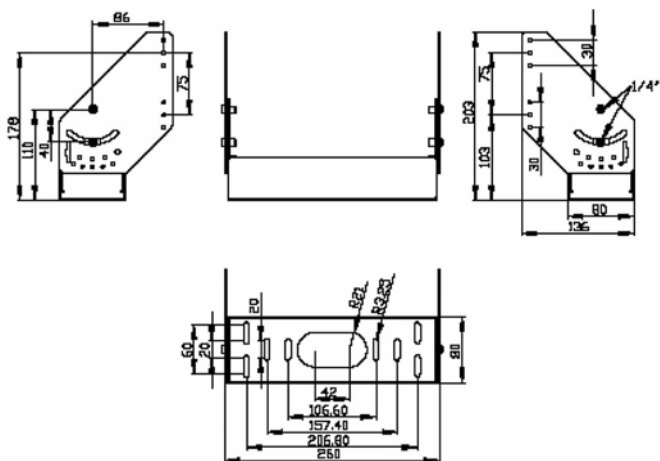
All Water proof connection: Power, VGA, S-Video, CVBS, Optional Touch.



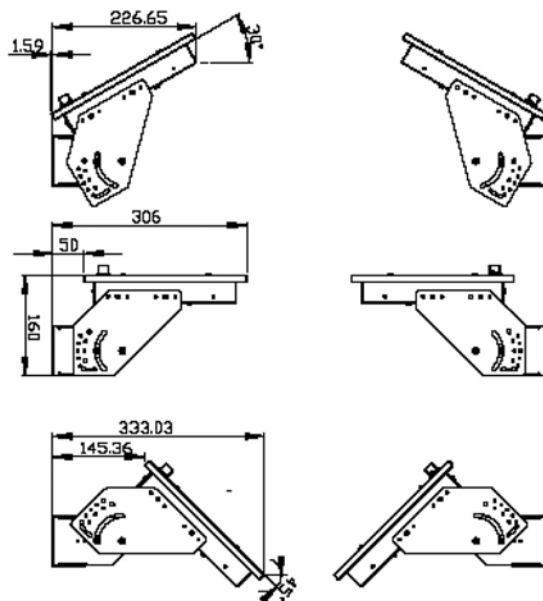
Mechanical Drawing



Installation Bracket Optional



BRACKET ADJUSTING ANGLE



VGA SUPPORT TABLE

Resolution	Horiz. Freq.(KHz)	Vert. Freq.(Hz)	Polarity
640X350	31.46	70	+/-
	37.86	85	+/-
720X350	31.46	70	+/-
	37.86	85	+/-
640X400	31.46	70	-/+
	37.93	85	-/+
	24.82	56	-/+
720X400	31.46	70	-/+
	37.86	85	-/+
640X480	31.46	59.9	-/-
	35.00	66.6	+/-
	37.86	72.8	-/-
	37.50	75.0	-/-
	43.27	85.0	-/-
800X600	35.15	56.2	+/+
	37.87	60.3	+/+
	48.07	72.2	+/+
	46.87	75.0	+/+
	44.40	70.0	+/+
	53.67	85.0	+/+
	56.47	70.1	-/-
	58.08	72.9	
	60.02	75.0	+/+
	68.68	84.9	+/+
	63.98	60.0	-/-
	74.40	59.3	
	78.72	74.0	
	79.97	75.0	