

# ALUMINUM TRUE FLAT TOUCH PANEL PC

15" Fanless Panel PC True Flat 5Wires Resistive Touch, Intel i3 7100U  
1x HDMI, 1x DP, 2x RS232, 4x USB, 2x LAN, 1x 12V DC in external power  
adapter, VESA mounting & panel mount , 1024x768 dpi

Model: KPC1500-i3-FTR-V1



## FEATURES:

- Fanless and rugged design
- 7th Gen Intel Core i3 7100U
- Resoloton 1024 x 768 dpi
- True Flat 5 Wires Resistive touch solution
- IP66 Silver Aluminum front bezel
- 4 x USB, 2 x RS232, 2 x GLAN, 2 x HDMI
- VESA mount & Panel mount & Clip mount
- 8GB DDR 4 So-DIMM
- TLC mSATA 128GB SSD
- Window 10 Pro (English)

## SPECIFICATIONS:

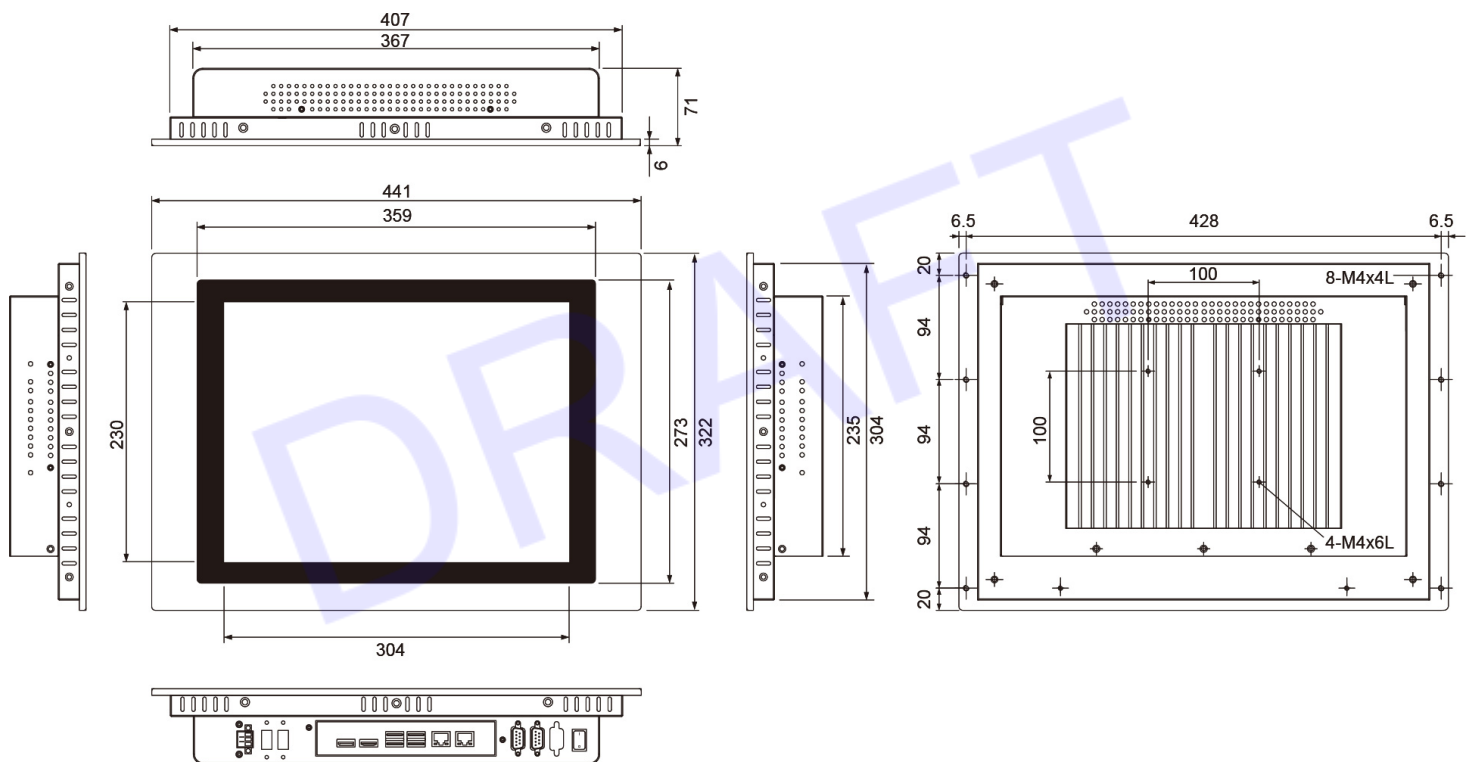
<b>SYSTEM</b>	
CPU	7th Gen Intel Core i3 7100U CPU (On Board)
Memory	1 x 260-pin DDR4 2133MHz SODIMM up to 16 GB
<b>H/W MONITOR</b>	
Watchdog Timer	Watch Dog Timer 256 Level
<b>I/O PORTS</b>	
RS232	2
GLAN	2
USB	4
HDMI	1
DP	1
<b>STORAGE</b>	
Storage	1 x SATA 3.0 2.5" HDD/SSD
<b>EXPANSION</b>	
Mini PCI-E	2 x Full size
<b>POWER REQUIREMENT</b>	
Power Requirement	3 Pin power terminal block for DC in 12V ~ 24V
<b>TOUCH SCREEN</b>	
Touch screen	5W (One Touch)
<b>OS SUPPORT</b>	
OS support	Win Pro 7, 8.1, 10 / Embedded Win 7, 8.1, 10 / window IoT
<b>DISPLAY</b>	
Size	15" TFT (4:3)
Resolution	1024 x 768
Colors	16.2M
Luminance	400 cd/m2
Contrast Ratio	700:1
View Angle (H/V)	160°/160°
<b>MECHANICAL &amp; ENVIRONMENTAL</b>	
Operation Temp.	0 ~ 45°C
Storage Humidity	10 ~ 90%, non-condensing
Mount	VESA mount (100 X 100 mm) & Panel mount & Clip mount
Dimension (WxHxD)	441 x 322 x 71 mm
Weight	6.1 kg

\*Specifications subject to change without notice, not responsible for typographical errors.

<b>OPTIONAL</b>	
External antenna ( WIFI )	
1600 cd/m2 High Brightness 15" LCD panel 1024 x 768 dpi	
Optical Bonding	
10pcs x Clips	
1 x RS232/422/485	
Waterproof sponge	
<b>OPTIONAL HB PANEL</b>	
<b>Resolution</b>	1024 x 768
<b>Color</b>	16.2M
<b>Luminance</b>	1000 cd/m2
<b>Contrast Ratio</b>	2000 : 1
<b>Viewing Angle (H/V)</b>	176°/176°

## MECHANICAL DRAWINGS:

*This is subject to change without Notice. Final Drawings Will be Provided for Approval after Order.*



Drawing No.: KPC1500-i3-FTR-V1-11302022-V1