

Compact Design PANEL PC

5.7" Vortex86DX 1GHz Panel PC Fanless and low power consumption w/512MB memory
DDR2/2USB/AUDIO/LAN/COM/CF/microSD with resistive touchscreen

(Model: XPC0570DC)



Wide Temp
-20°C to +60°C

Features:

- 5.7" TFT LCD with resistive touchscreen
- DM&P Vortex86DX 1GHz onboard
- 256/512MB DDR2 system memory onboard
- Compact Flash Type I/II / Micro SD Slot
- Mini-PCI socket (Wi-Fi Optional)
- Fanless and low power consumption
- Metal chassis with compact design

Introduction

XPC0570DC is an ultra compact platform for the present demanding embedded and productive applications. It has new Vortex86DX SoC CPU which consumes only minimum power requirement when running at 1GHz, and DDR2 memory provides faster data transfer rate. By using 5.7" TFT LCD, XPC0570DC becomes the perfect choice for a limited budget. In addition, the integrated 10/100M Ethernet port supplies the communication capability which makes XPC0570DC can be more widely used when running with DOS, Linux, Windows CE, and Windows XP environment to become the perfect solution for system integration.

Specifications

CPU	DM&P SoC CPU Vortex86DX-1GHz
Cache	L1:16KB I-Cache, 16KB D-Cache L2: 128KB Cache
BIOS	AMI BIOS
Memory	256/512MB DDR2 onboard
Watchdog Timer	Software programmable from 30.5u to 512 seconds x 2 sets
LAN	Integrated 10/100Mbps Ethernet
Audio	CM119 Line-Out
Internal Drives	Compact Flash Type I/II slot Micro SD slot
I/O	RS-232/422/485 x 1 USB ports (Ver2.0) x
Expansion Slot	Mini-PCI socket x 1

Mechanical & Environment

Power Requirement	+5V DC +8 ~ +35V DC (Optional)
Power	+5V @ 1.3A
Operating Temperature	-20 ~ +60 °C (-4 ~ +140 °F)
Storage Temperature	-30 ~ +70 °C (-22 ~ +158 °F)
Dimensions	152 x 112 x 33 mm (5.98 x 4.41 x 1.3)
Weight	374g
Certification	CE, FCC, VCCI, Vibration

LCD Specifications

Display Type	5.7" TFT LCD
Backlight Unit	LED
Display Resolution	640 (W) x 480 (H)
Brightness	500 cd/m ²
Contrast Ratio	300:1
Display Color	262,144
Dot Pitch (mm)	0.06 x 0.18
Viewing Angle	Vertical 100°, Horizontal 140°
Backlight	25,000 hrs

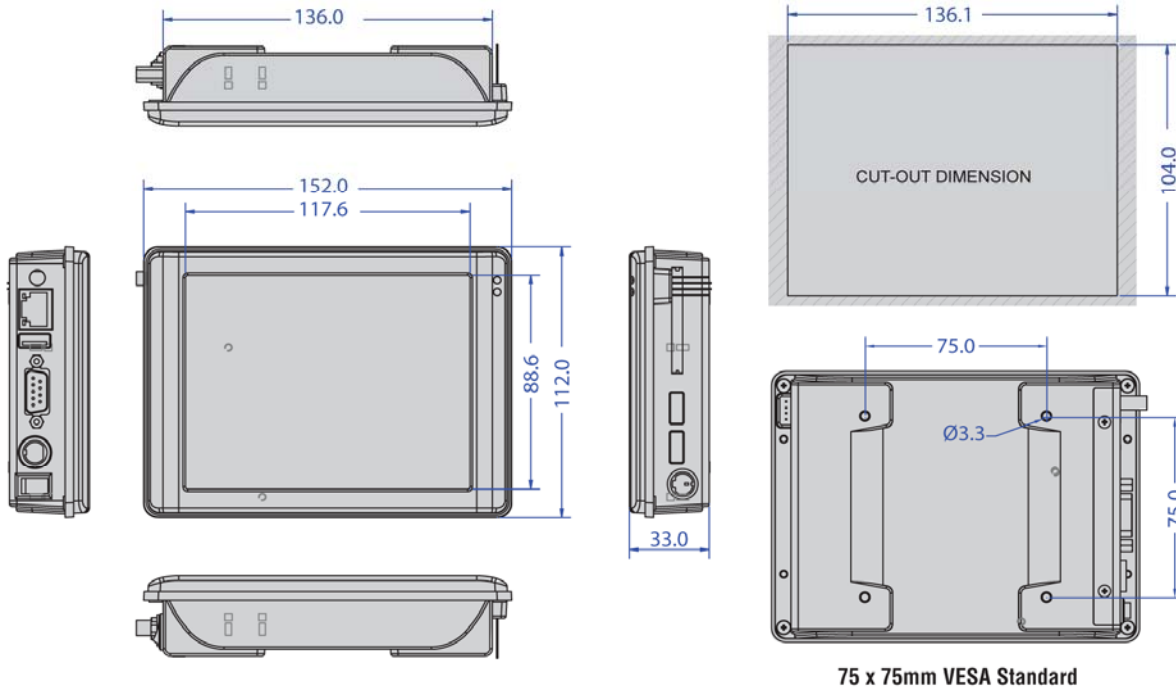
Touchscreen

Type	Analog Resistive
Resolution	Continuous
Transmittance	80%
Controller	USB interface
Software Driver	DOS/Linux/WinCE/WinXP
Durability	1 million

Mechanical Drawings

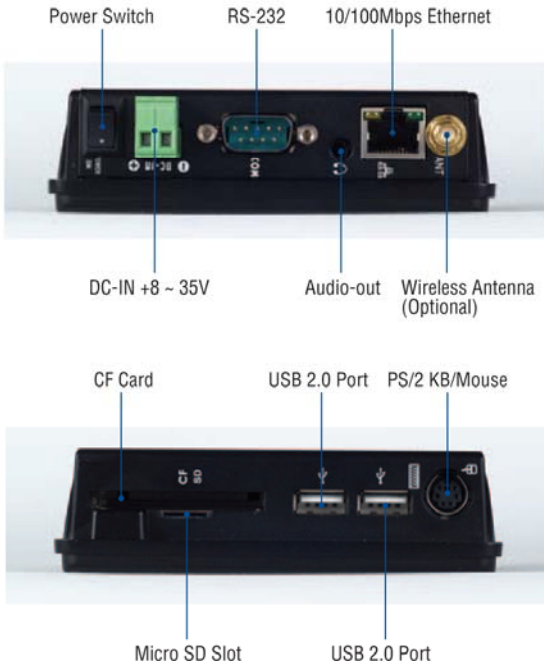
Dimensions

Unit: mm



Side View

XPC0570DC



XPC0570

