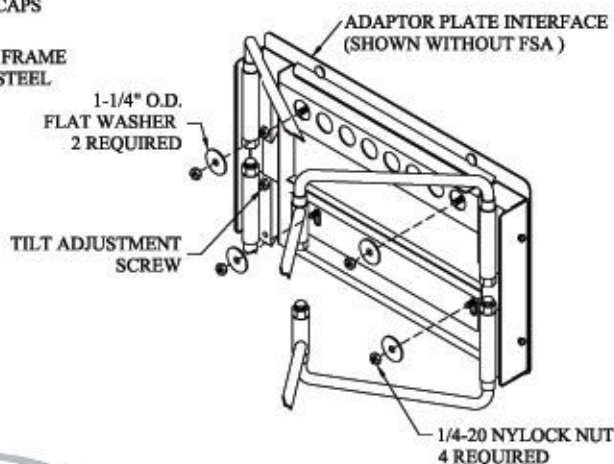
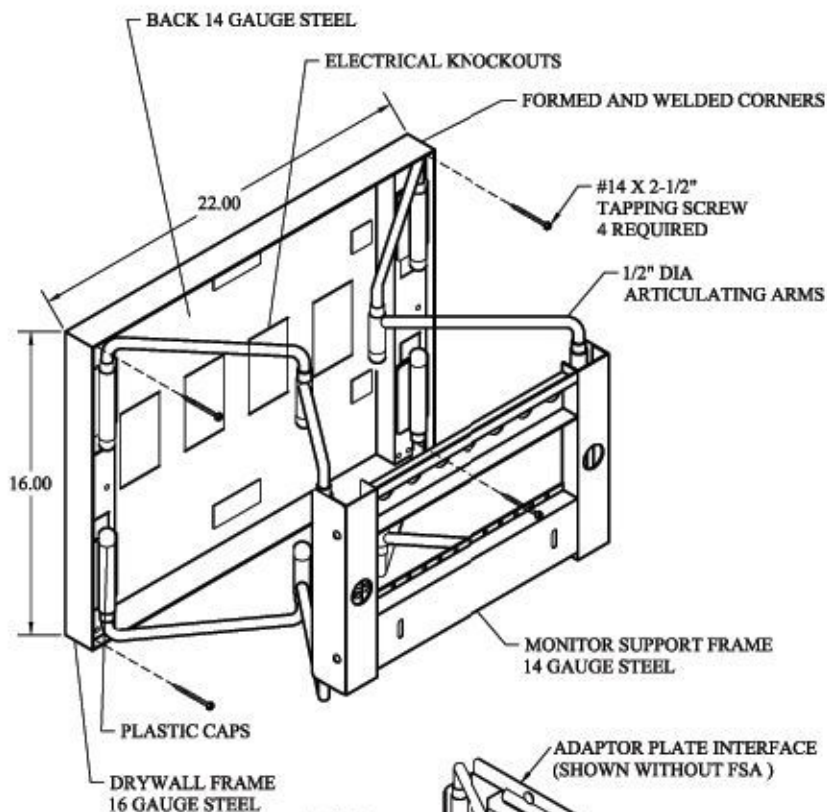
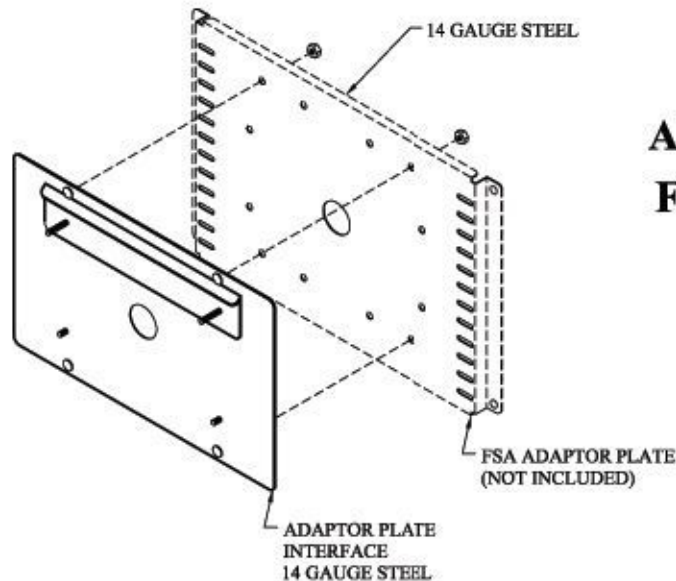


FSWA2216

ARTICULATING PLASMA MOUNT Flat Screen Adaptor Plate required



1. Remove adaptor plate interface from monitor support frame.
2. Attach adaptor plate interface to FSA (plasma screen adaptor plate appropriate to your monitor) using four 3/8-16 Nylock Nuts as shown.
3. Attach FSA to plasma monitor with hardware appropriate for your monitor.
4. Locate centers of wood studs (for metal stud wall use Lucasey part # WMATB4). Place a level on monitor support frame and adjust wall frame as necessary before securing frame to wall. Attach wall frame to wood studs utilizing four #14 x 2 1/2" tapping screws.
5. Raise monitor to support frame. Angle bottom of monitor away from wall and hook support angle over lip in frame with studs aligning to holes in frame.
6. Secure monitor in place with 1/4-20 hex nuts and fender washers.
7. Adjust monitor tilt by turning tilt adjustment screw. To lock in place tighten nut on tilt adjustment screw.