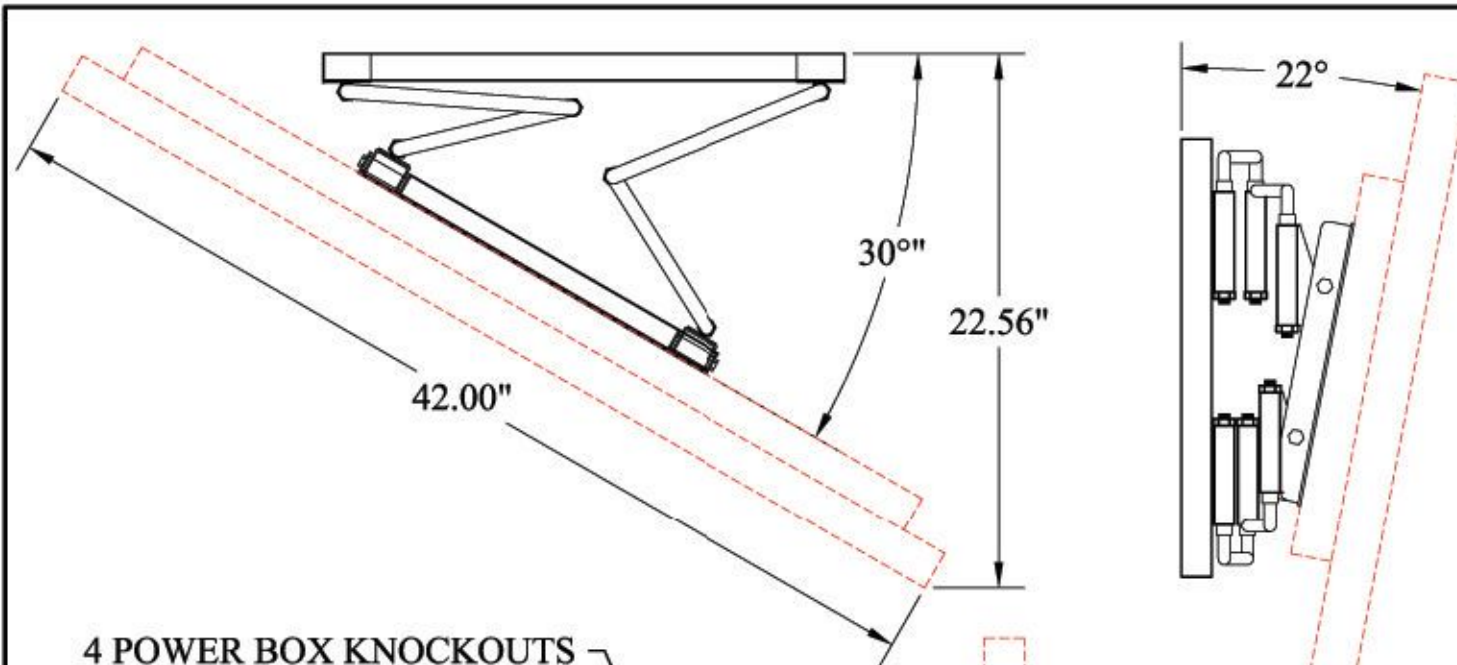


FSWA2216

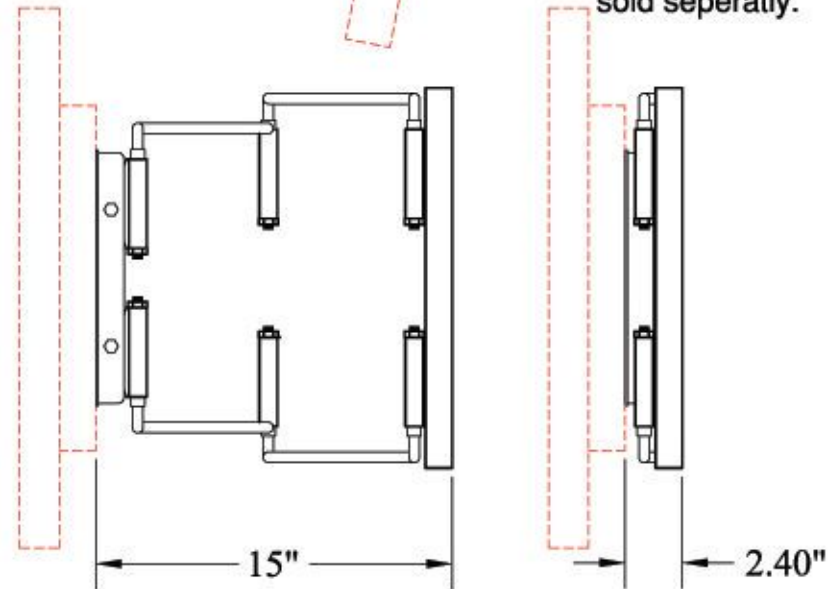
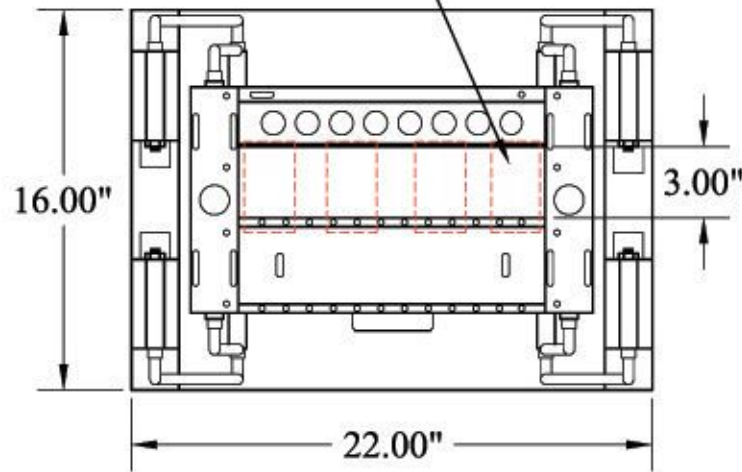
This unit has a positive locking tilt using set screws instead of tensioning springs.

18.75" O.C. mounting holes requires wall to have special constructed blocking for mounting. Ideal for in wall recessed applications.

Requires use of FSA adaptor plate for monitor sold separately.



4 POWER BOX KNOCKOUTS



PART NO.	WIDTH	HEIGHT	TOTAL PROJECTION	DOWNWARD TILT	UPWARD TILT	LOAD LIMIT	SHIPPING WEIGHT
FSWA2216	22"	16"	15"	22°	10°	125 LBS.	30 LBS.