

# Industrial Stainless Steel Panel Mount IP65/NEMA4

Industrial Panel Mount Stainless steel IP65/NEMA4 19" LCD monitor,  
1440 x 900, 300 nits

(Model: ESPMW1900)

**ESPM Series:** Front NEMA4/IP65 Industrial Stainless Steel Panel Mount Metal (3mm) Housing LCD Monitor  
(Optional Integrated Touchscreen)

## Features Highlights:



Stainless steel 3mm Panel Mount (Optional for Front AR Glass or Vandal Resistant glass)

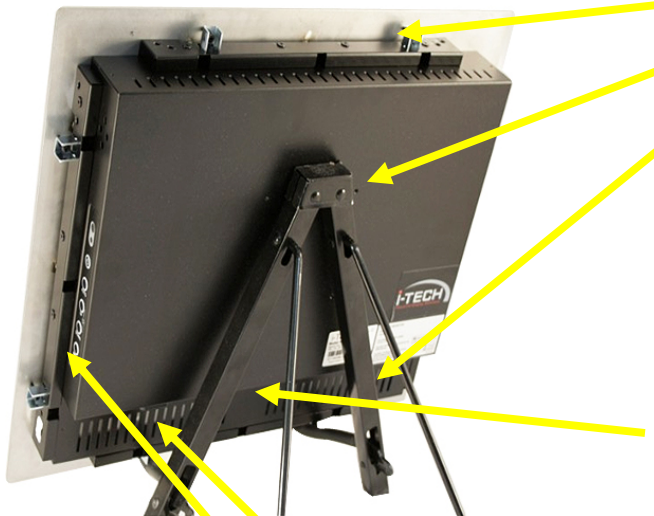
NEMA4/ IP65 Front Anti Water proof and Dust Proof

Optional for Resistive/ Capacitive/ SAW/ IR/ Projective Capacitive Touch screen

Auto Video Signal ON / OFF  
Auto Always Power On

### Auto Power on and Video signal on/off:

The LCD is always on whenever there is a power; this functionality eliminates the need to manual turn on the LCD. Also, you can control the LCD backlight on/off by video signal. LCD backlight will shut down when no video signal, but LCD backlight will wake up when the video signal is back on.



For easy installation with Clamps mount

VESA Mounting Hole Pattern

Reliable built-in Power supply for 15" or above  
(Optional for 9-36V DC input)

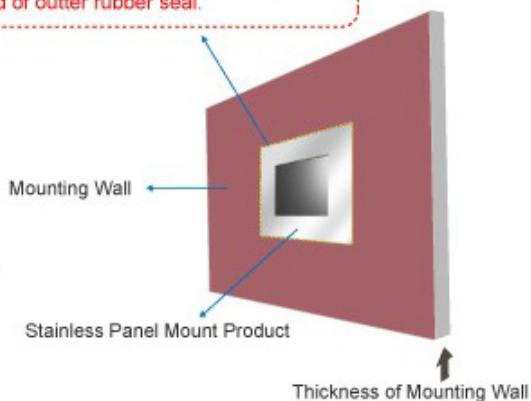


Standard VGA Input  
(Optional for DVI, HDMI, AV, BNC, AV looping and SDI)

Optional for RS232 Remote Control Protocol: Command Code to set system

Side OSD buttons can prevent unnecessary setting changes.

Stainless Steel Front Bezel is without to have outer rubber seal (O-ring). Please apply silicon to instead of outer rubber seal.



## Features:

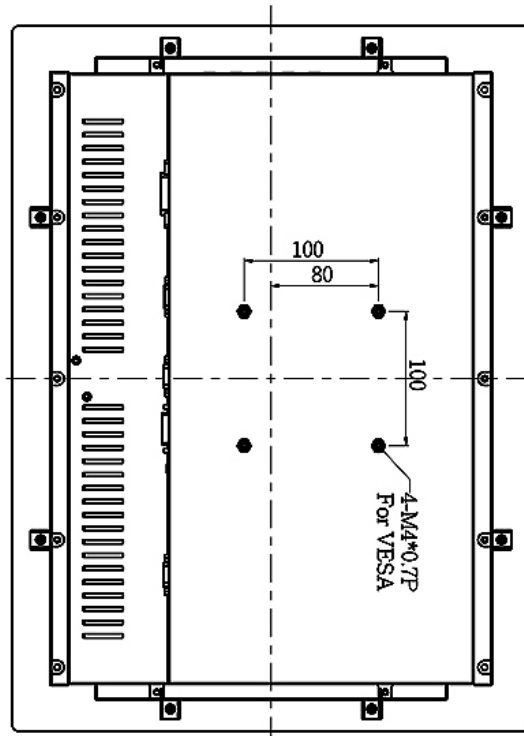
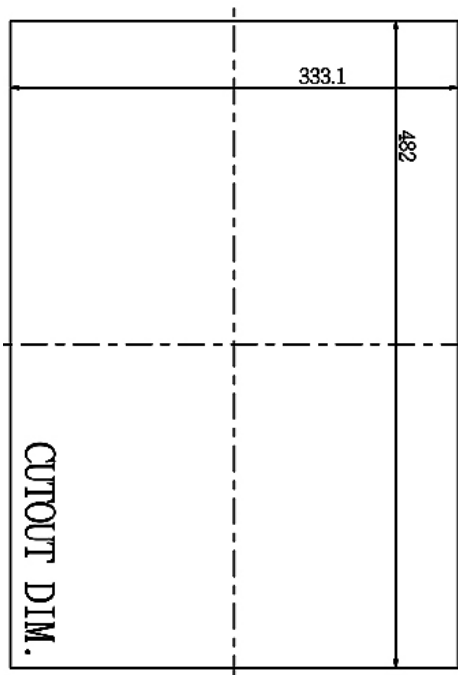
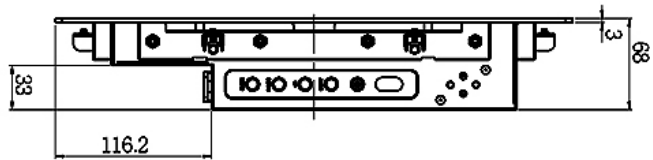
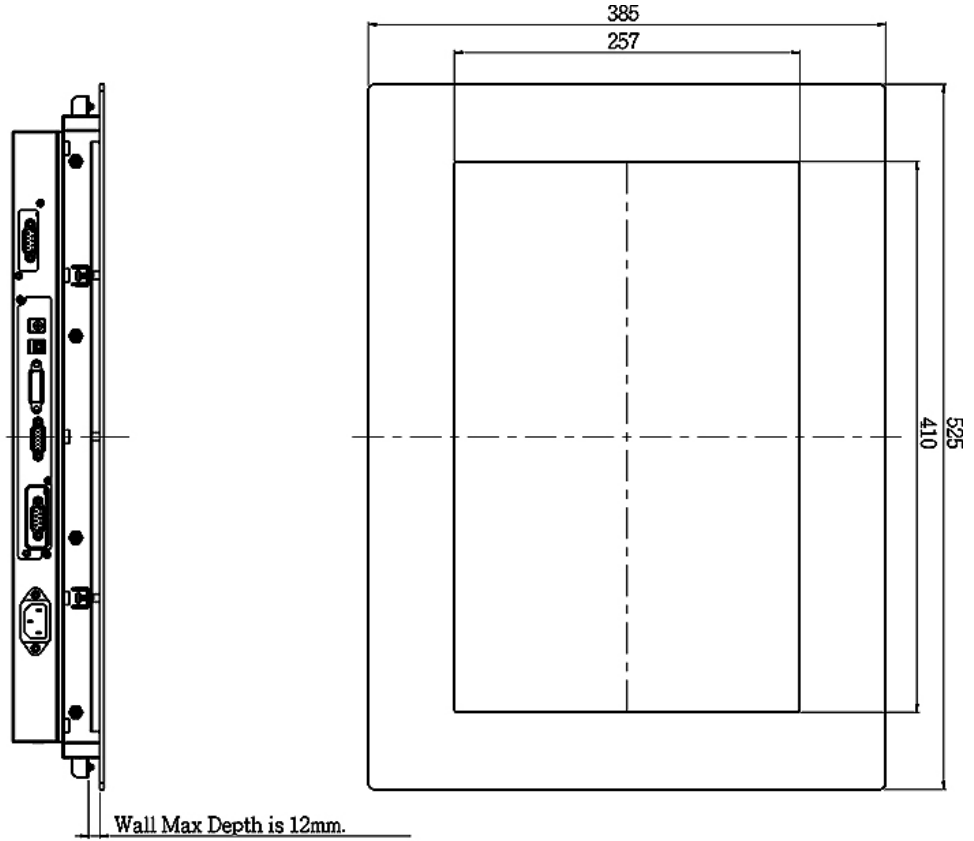
- Modularize mechanical design provides flexible product configuration and easy maintenance.
- IP65 Front side sealed for water-dust proof.
- Available with auto-brightness sensor offers application day and night.
- VGA connector with optional AV.SV.AV-Looping.
- Complete custom design/solution for OEM customers

## Specifications

|                            |   |  |   |
|----------------------------|---|--|---|
| <b>Panel</b>               | Cell Type / Glass Surface   | TFT LCD / Black Anti-Glare, low reflection coating         |   |
|                            | Aspect Ratio / Size   | Wide /19" viewable diagonal area                           |   |
|                            | Active Area / Pixel Pitch   | 408.24(H) x 255.15(V) mm / 0.284(H) x 0.284(V) mm          |   |
|                            | Native Resolution / Colors  | 1440(H) x900(V) / 16.7 Million                             |   |
|                            | Brightness / Contrast   | 300 cd/m2 (typ) / 1000 :1                                  |   |
|                            | Response Time   | ^ 5 ms   |   |
|                            | Viewing Angle (typical)   | H. 170° (- 85° ~ + 85°) , V 160°(- 80° ~ + 80°)            |   |
|                            | Light Source  | CCFL Back Light, Long life, 50,000 hrs (typ)               |   |
| <b>Input Sources</b>       | PC System   | Signal   | Analog RGB (0.7/1.0 V <sub>p.p.</sub> , 75 ohms)        |
|                            |   | Sync   | Separate Sync, Composite Sync, Sync On Green            |
|                            |   | Frequency  | F <sub>H</sub> : 30 - 82Khz , F <sub>V</sub> : 50 -75Hz |
|                            | Audio System  | 2W speaker x 2   |   |
| <b>Input Terminals</b>     | 1 x VGA (15 Pin Female D-Sub), 1 x PC Audio (Stereo Headphone Jack), 1 x DC Power Plug      |  |   |
| <b>Convenient Features</b> | IP65 Front side sealed for water-dust proof   |  |   |
|                            | Auto Calibration , Back Light Adjustment, Plug&Play (VESA DDC/CI, DDC 2B)                   |  |   |
|                            | OSD Multi-Languages , Wall Mount Ready (VESA 75 x 75 mm)                                    |  |   |
| <b>Power</b>               | External AC-to-12VDC power adapter with universal / Auto-Sensing, AC 90 to 260V, 50 / 60 Hz |  |   |
| <b>Power Consumption</b>   | Operation / Power Saving  | 30 watt, < 2 watt (Support DPMS)                           |   |
| <b>Operating Condition</b> | Temperature / Humidity  | 0°C ~ 50°C (32°F ~ 122°F), 10% ~ 90% (no condensation)     |   |
| <b>Storage Condition</b>   | Temperature / Humidity  | - 20°C ~ 60°C (- 4°F ~ 140°F), 10% ~ 90% (no condensation) |   |
| <b>Certification</b>       |   | FCC,CE   |   |
| <b>Dimensions</b>          | Physical  | W x H x D = 525.0 x 385.0 x 68.0 mm                        |   |
|                            | Carton  | Wx H x D = TBD   |   |
| <b>Weight</b>              | N.W. / G.W.   | 6.5 Kgs / 7.5 Kgs  |   |
| <b>Container Loaded</b>    | 20ft / 40ft / 40ft HQ   | TBD (Sets , By pallet)                                     |   |

| Options | Touch            | Video/TV             | Enhanced Panel           | Others                       |
|---------|------------------|----------------------|--------------------------|------------------------------|
|         | Resistive touch  | SV + AV              | Panel with LED backlight | Digital Signage(Stand alone) |
|         | Capacitive touch | SV + AV + AV_Looping | High brightness panel    | Networking Digital Signage   |
|         | SAW touch        | SV + AV + TV         | Wide Temperature         | Motion Sensor                |
|         | Infrared touch   |                      | Sunlight Readable        | Light Sensor                 |
|         | Protected glass  |                      |                          | Auto-Dimming                 |

# Mechanical Drawing:



## LCD Options



### LED Backlight Options

Introducing LED backlight options for monitors for energy efficiency and a brighter screen.



### TouchScreen Options

Our LCD has a wide selection option to choose which touchscreen technology suits for you.

|                        | Four-Wire Resistive  | Five-Wire Resistive  | Pen Touch  | Capacitive   | Surface Wave(Saw)  | Infrared Touch (Ir)  |
|------------------------|--|--|--|--|--|--|
| PRODUCT SIZE           | 1.7" - 24"   | 10.4" - 24"  | 15" - 19"  | 12" - 24"  | 10.4" - 30"  | 10.4" - 42"  |
| TOUCH LIFE             | 1 - 2 million touches  | 30 - 35million touches   | 100 million touches  | 100 million touches  | 50 million touches   | Long-term reliability  |
| SCRATCH RESISTANCE     | Hard Coated  | Hard Coated  | Hard Coated (SiO <sub>2</sub> )  | Hard Coated (SiO <sub>2</sub> )  | Glass Overlay<br>Moh's hardness rating of 7                                | Glass Overlay<br>Moh's hardness rating of 7                                |
| CONTAMINANT RESISTANCE | Resists moisture, dirt, vinegar, ammonia based food products and cleansers | Resists moisture, dirt, vinegar, ammonia based food products and cleansers | Resists moisture, dirt, vinegar, ammonia based food products and cleansers | Resists moisture, dirt, vinegar, ammonia based food products and cleansers | Resists moisture, dirt, vinegar, ammonia based food products and cleansers | Resists moisture, dirt, vinegar, ammonia based food products and cleansers |
| INPUT METHOD           | Finger, Gloved Hand, Stylus  | Finger, Gloved Hand, Stylus  | Stylus Pen   | Finger   | Finger, Gloved Hand, Soft pliable stylus                                   | Finger, Gloved Hand, Stylus  |
| CONTROLLER             | USB, RS232   | USB, RS232   | USB, RS232   | USB, RS232   | USB, RS232   | USB, RS232   |



### VIDEO Input Options:

For Video inputs options:

DVI, DVI+HDMI, SVideo+AV, SVideo+AV+DVI, AV+Looping, DVI+AV+Looping, HD-SDI, BNC(PAL/NTSC)



### Optical Bonding Options

- Optical Bonding provides the best reduction of ambient light washout of any commercially available enhancement technology.
- Optical Bonding has a lower cost than most other competing technologies.
- Optical Bonding offers superior ruggedization, enhancing the display durability under vibration, shock and other environmental extremes.



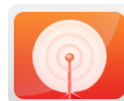
### RS-232 Remote Control Options

**Remote Control Protocol: Command Code to set system**



### 9-36V DC Input Options

iTech offers a selection of DC input from 9V to 36V



### Light Sensor and Motion Sensor Options

iTech LCD offers Light and Motion Sensor

### Privacy Filter

Front Glass Options:

- Anti Reflective AR Glass 3mm
- Anti Reflective AR Glass 6mm Vandal-Resistance
- Anti Reflective AR Glass 8mm Vandal-Resistance
- Anti Glare AG Glass 3mm