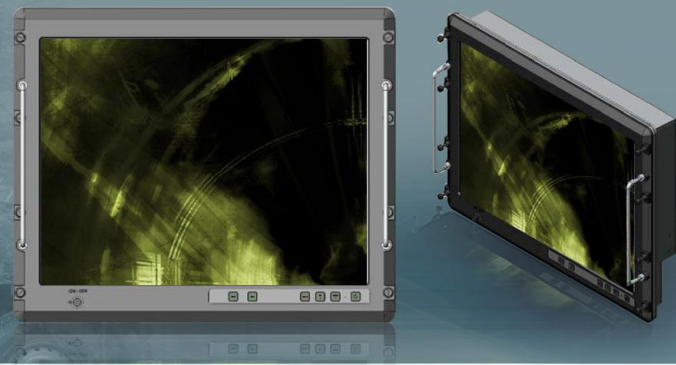


Military Grade Chassis Mount

20.1" High Definition Display

Model: EMRM2000

287



The EMRM2000 is ITechLCD's 20.1" display offering significant benefits with respect to dimensions, ruggedization and video quality. The 20LCD combines unmatched mechanical integrity with exceptionally low weight to provide a unique, rugged display solution, especially for applications where space and weight are critical.

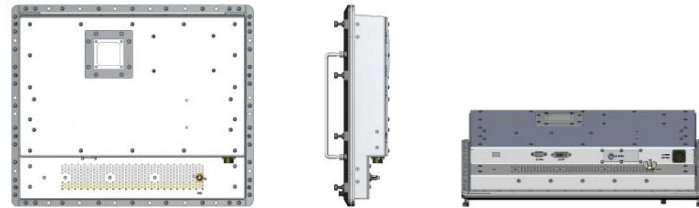
The EMRM2000 features a 20.1" Active Matrix Liquid Crystal Display 1600 x 1200 (UXGA) offering excellent performance in terms of brightness, crispness, contrast and viewing angle. The bezel and mounting can be customized to address virtually any mounting need in any application. Additionally, the EMRM2000 combines this high level of performance and versatility with a very competitive price/performance value.

ITechLCD's displays have been designed and qualified for application in the most hostile environments. ITechLCD's rugged displays are well suited for specific naval combat, army and airborne applications.

Features

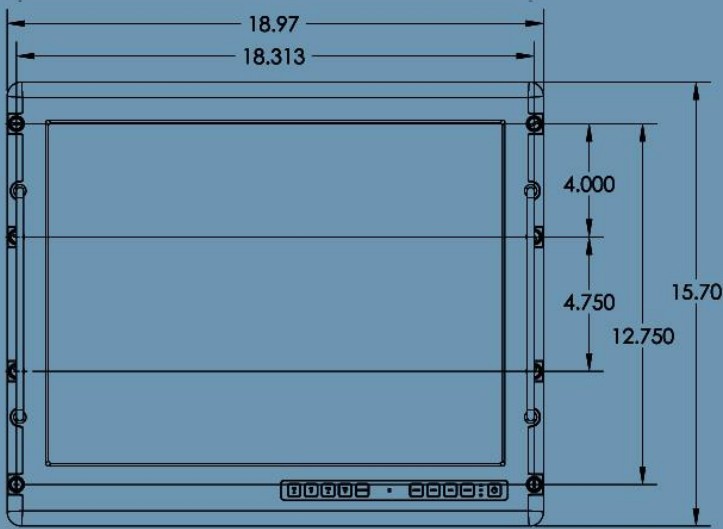
- 20.1" Color Active Matrix Liquid Crystal Display
- High Resolution 1600 x 1200 (UXGA)
- Designed and Built to Military Standards
- VGA, DVI, NTSC
- Bonded Anti-Reflective Protective Window
- Wide Viewing Angle ± 89 Degrees

TECHNICAL SPECIFICATIONS	
Active Display Area	20.1" TFT Active Matrix LCD
Display Resolution	1600 x 1200 (UXGA)
LCD Technology	CCFL Backlighting
Input Interface	VGA (HD15), DVI, NTSC, Touch Option
Brightness	250 cd/m2 (Minimum)
Viewing Angle	± 89 Degrees All Directions (Typical)
Contrast Ratio	500:1 (Typical)
Display Colors	16M
Power Supply	100-240 VAC
User Controls	Brightness/Dim, Power, Channel Up/Down, Menu, Mode
RIGOROUS MILITARY SPECIFICATIONS	
MIL-STD-167-1, Type 1	Vibration
MIL-STD-810	Environmental
MIL-STD-901D Grade A, Class I, Type A	Shock
MIL-STD-461E	EMI/EMC
ENVIRONMENTAL SPECIFICATIONS	
IP Rating	IP65 Drip Proof
Operating Temperature	0°C to 50°C
Storage Temperature	-20°C to +60°C
Humidity	5 to 95% @ RH Non-condensing
Altitude	0 to 15,000 ft. above sea level (Up to 40,000 ft. storage)

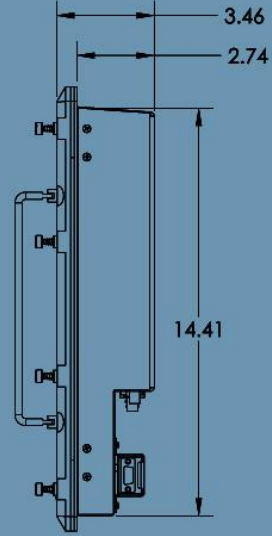


DIMENSIONS	INCHES	MILLIMETERS
Height	15.71"	399.1 mm
Width	18.97"	481.8 mm
Depth	4.63"	117.6 mm
Weight	25 lbs	11.3 kg

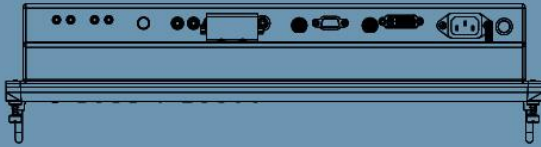




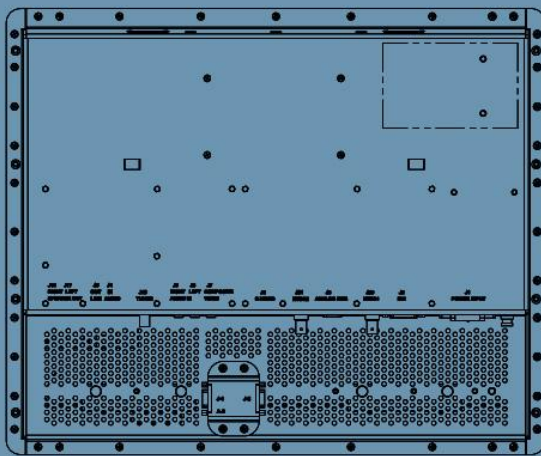
Front



Side



Top



Back