

8.4" TFT LCD Display Composite Video & VGA Input

PROGRAMMABLE TACTICAL AWARENESS CONTROLLER

Model: DTT8400



iTechLCD's Programmable Tactical Awareness Controller (DTT8400) is a ruggedized Mil Spec LCD display, engineered to operate under the most extreme environments found in military applications. The DTT8400 offers a tactile programmable button interface (ASCII or HEX code) via RS232 protocol for PC software functions.

The ruggedized military computer display can be used in operations such as situational awareness and vehicle tracking, and surveillance and reconnaissance. The DTT8400 display can be used in either day or night operations. It comes equipped with features such as sunlight readability with enhanced high brightness, low power consumption and is NVIS compliant.

iTechLCD's integrated NVIS options either produce near zero color shift or slight color shift for full sunlight readability. The integrated NVIS is MIL-STD-3009 compliant, and can be viewed with NVGs (Night Vision Goggles) through the entire brightness range. Dimming is not necessary to meet MIL-STD-3009, Class B NVIS requirements.

Standard Features

- (2) VGA Input
- (1) Composite Video RS170 Input
- 8.4" TFT AM LCD SVGA (800 x 600)
- (12) Programmable Tactile Buttons (ASCII or HEX code via RS232 protocol)
 - Tactile Button OSD User Interface (MIL-PRF-22885G; 1 million+ actuations)
- LED Backlight (1000:1 Dimming Ratio)
- Sunlight Readable
- Antireflective/Antiglare Surface Treatments
- Milled AL Case, sealed to IP67 NEMA 6
- Military Grade Sealed Connectors
- Wide Range Input (10-36 VDC)†
- Protected against Internal Short Circuit, Load Dump, Over Voltage and Reverse Polarity
- 25 Watts Maximum Power Consumption



Technical Specifications

Display	8.4" TFT AM, SVGA, LCD, 16M Colors
Sunlight Readable	1,000 nits*
Contrast Ratio	600:1
Dimming Ratio	1000:1
Viewing Angle (typical)	160° (H) x 140° (V)
Mounting	Panel Mount
Power Conditioning	Internal Short Circuit Protection Load Dump Protection Over Voltage Protection Reverse Polarity Protection
Power Consumption	25 Watts Max
Environmental Specifications	
IP Rating	IP67 (NEMA 6 Submersible)
Operating Temperature	-40°C to 70°C (-40°F to 158°F)
Storage Temperature	-40°C to 80°C (-40°F to 176°F)
Humidity	0-100%
Altitude	45,000 ft.

Military Specifications

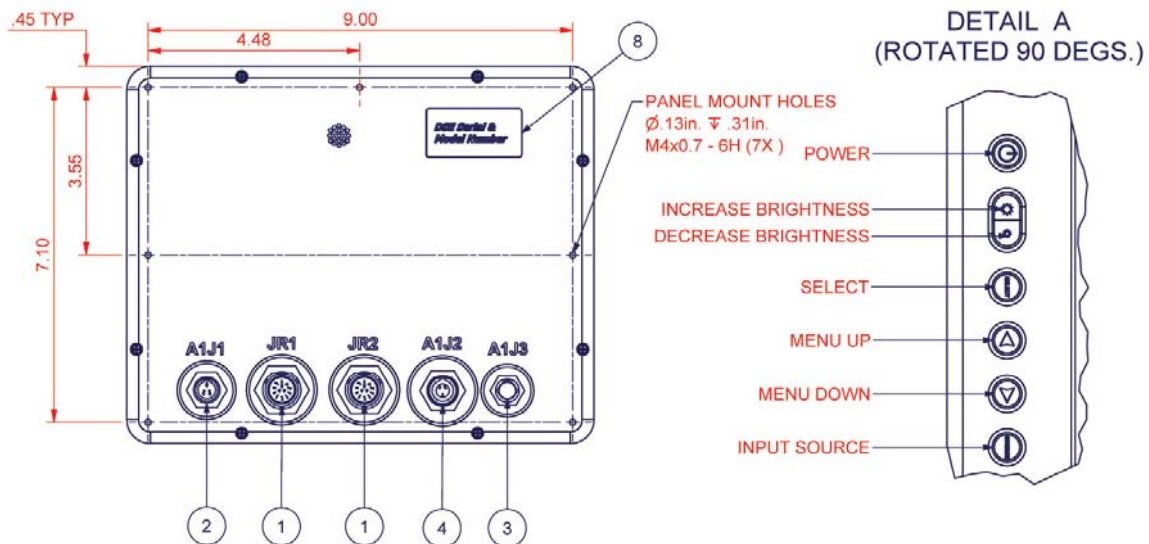
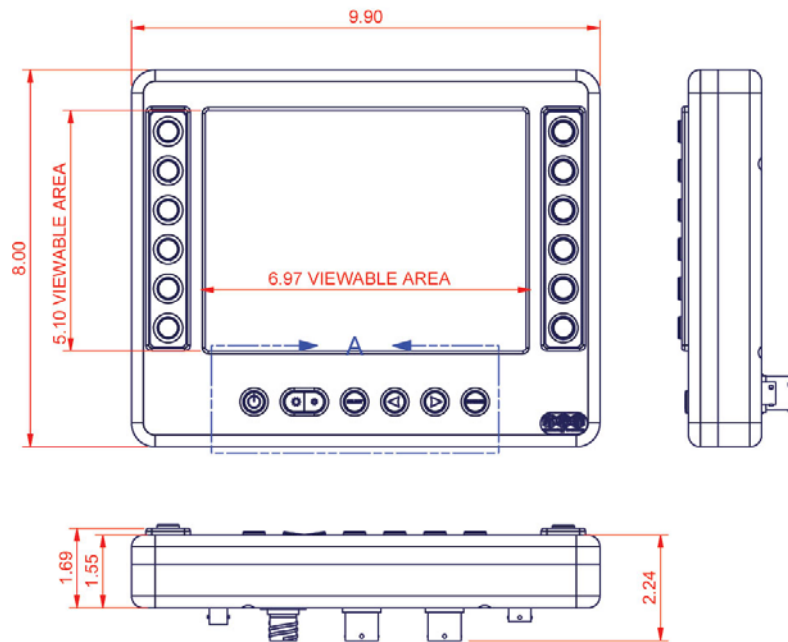
MIL-STD-461E	EMI
MIL-STD-810F	Method 501.4 II-Op; High Temperature
MIL-STD-810F	Method 502.4 II-Op; Low Temperature
MIL-STD-810F	Method 514.5; Procedure 1, General Vibration
MIL-STD-810F	Method 516.5, Procedure 1, Functional Shock
MIL-STD-1275D†	Wide Range DC Power Input 10-36 VDC (12, 24, 28 VDC nominal)
MIL-STD-3009*	NVIS Compliance (Optional)
MIL-PRF-22885G	Sunlight Readability for Buttons
MIL-PRF-22750F	Housing Milled Aluminum, Black Finish
MIL-DTL-26482	Connector (Qualified)
MIL-DTL-38999	Connector (Qualified)



i-Tech Company LLC

TOLL FREE: (888) 483-2418 • EMAIL: info@itechlcd.com • WEB: www.iTechLCD.com

Mechanical Drawing



DIMENSIONS	MILLIMETERS	INCHES
Height	204 mm	8.00"
Width	252 mm	9.90"
Depth (with connectors)	57 mm	2.24"
Depth (w/out connectors)	40 mm	1.55"
Weight	4.3 lbs ± .25 lbs. (2.0 kg ± .1 kg)	