

# Model: DHK11716eu-WUXGA

1U 17" Rackmount Widescreen LCD 1920 x 1200  
WUXGA, Touchpad keyboard, 16-ports USB/PS2  
Combo KVM, w/VGA, DVI, S-video input, 24"



## 1U Wide Monitor / Keyboard Drawer with optional KVM

The DHK11716EU-WUXGA Series is a high performance 1U LCD display drawer sporting 17" Wide Monitor. This monitor has a high contrast ratio and wide viewing angles with a resolution at WUXGA (1920X1200). The display is stowed flat above the keyboard and tilts up for use.

The Clam Shell design is held open with two 30 lbs heavy-duty Torque hinges with a maximum opening of 102 Degs from closed. Ball bearing slides are integrated along with mounting brackets to facilitate the installation in any standard 19" Rack enclosure. The drawer is held closed by keyed cam lock.

The DHK11716EU-WUXGA Series is configured with many different Keyboard / Pointer combinations to meet almost any combination (See the Integrated Keyboard Reference Guide).

The DHK11716EU-WUXGA Series has been designed to allow for multiple back panel termination options including aRGB, integrated 8 & 16 port aRGB KVM switches and 4 port DVI-D media switch along with DVI-D, NTSC/Pal Video options (See Integrated Back / KVMS Reference Guide). Standard Finish is Black Powder Coated Lite Texture, but it can be customized to any color or logo.

## Features:

### Enclosure

- Mounts in standard 19-inch rack cabinets 24-36 inch depths.
- Utilizes only 1U (1.75")
- RSI Design (Rapid Start Installation). Less than 5 minutes!
- Rugged all metal construction Designed to Satisfy Broadcast, Industrial, Commercial and Military requirements
- Compact Enclosure for Rackmount applications.

### Display

- 17 Wide" Diagonal Active Matrix TFT LCD (16x10)
- Featuring Sharp technologies
- Large viewing area
- Max resolutions to WUXGA (1920 x 1200 @ 60Hz)

### Video Controller

- Standard Analog RGB input, optional DVI-D, NTSC/Pal, S-Video, CVS, YPbPr, & HD/SD-SDI
- OSD (On Screen Display) Monitor Controls

### Keyboard / Pointing Device

- Many different keyboard / pointing devices to choose from. (See the Integrated Keyboard Reference Guide)

### Power

- +12 VDC Operation
- Low Power Consumption

### Other Features / Options

- Integrated KVM Switch Options (See IntegratedBack / KVMS Reference Guide)
- HD/SD-SDI: (See Options on our HD/SD-SDI Options Data Sheet for more details)
- Front Face Options (B, Ba, C,Ca, D, Da) (A is available on Custom Orders) See Front Face Data Sheet
- Special order options include: Custom Paint and Integrated Touch



## Technical Specifications

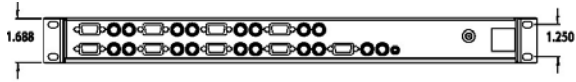
<b>Monitor</b>			
Display Type	TFT active matrix SXGA LCD with antiglare hard coat		
Monitor Size	17" Wide 16x10		
Max Resolution / Refresh	WUXGA (1920 x 1200)		
Display Colors	16.7 MILLION		
Brightness (Nits cd / m2)	340		
Contrast Ratio	450:1		
Response Time (Tr / Tf) (ms)	30 ms		
On Screen Adjustment	Contrast, Brightness, Autosetting, Clock / Phase, Horizontal & Vertical Position / Expansion / OSD, Text & Graph Mode Selection, Color Temp, Recall		
Pixel Pitch (H x W) (mm)	0.191x0.191		
Power Management	EPA Energy Star, VESA Compliance		
Video Inputs	Analog RGB with optional DVI-D, S-Video, CVS, YPbPr, & HD/SD-SDI		
Viewing Angle (Deg)	80/80//60u/70d		
Display Modes	12		
MTBF	30,000 - 50,000 hours		
Monitor Control Type	Digital microprocessor OSD control		

<b>Chassis / Drawer:</b>	
Mounting	Standard 19-inch rack
Slide Rails	Pre-integrated / installed with cable management guides for 24 inch depth; standard ball-bearing
Dimensions (W x H x D)	19 x 1.75 x 20-inch min. Can be installed in 24" - 36" Racks
Monitor Hinge	Heavy-duty Torque hinges to 60 lbs
Color	Powder Coated black, medium texture paint. Custom colors and logos available as special order

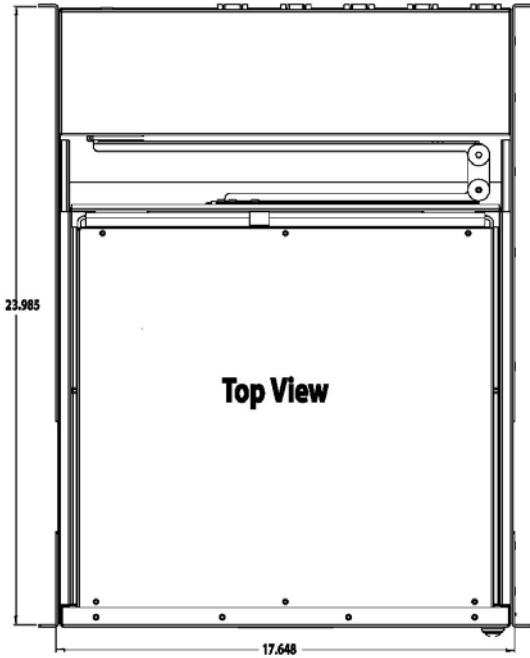
<b>Misc</b>		
Temperature	Operating: 0 to 45 Deg C	Storage: -30 to 65 Deg C
Humidity	Operating: 5 - 90% RH Non Condensing	Storage: 5 - 90% RH Non Condensing
Altitude	Operating: 15,000 feet	Storage: 40,000 feet
Weight	Actual Wt. 27 lbs	Shipping Wt. 36 lbs
Shipping Box 23" x 6" x 33"	DWD 23	DWI 27



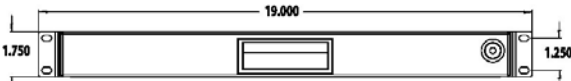
# Mechanical Drawing



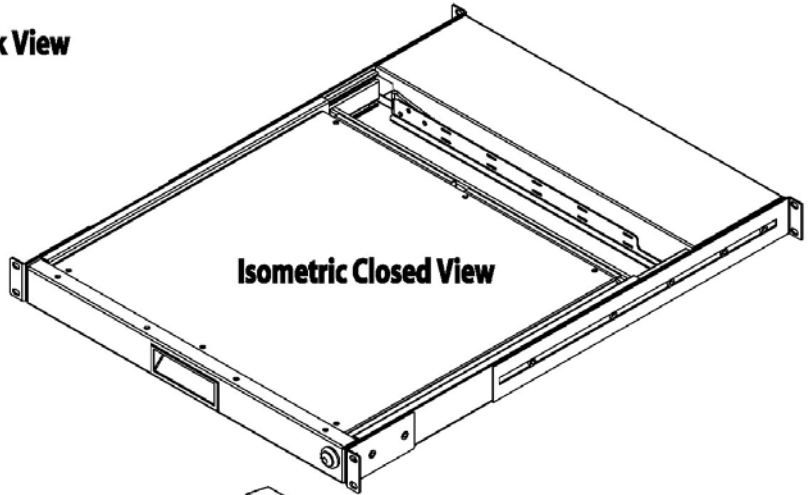
**Back View**



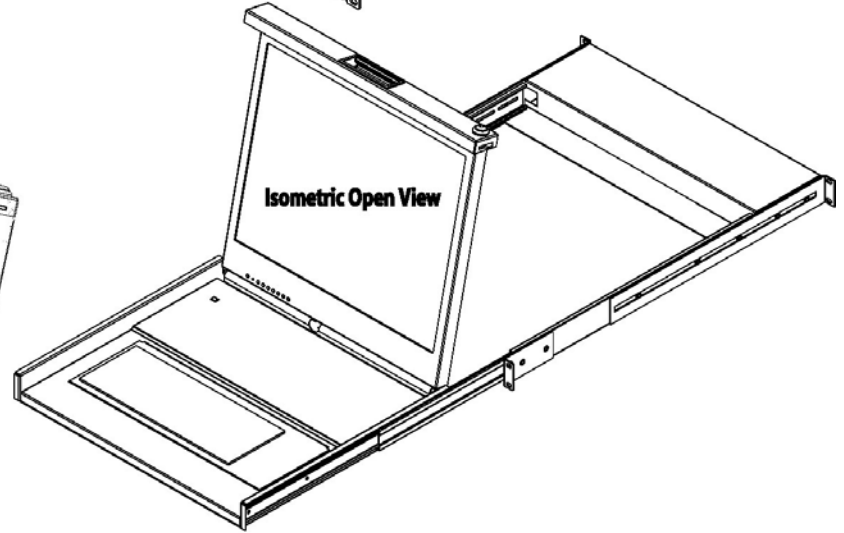
**Top View**



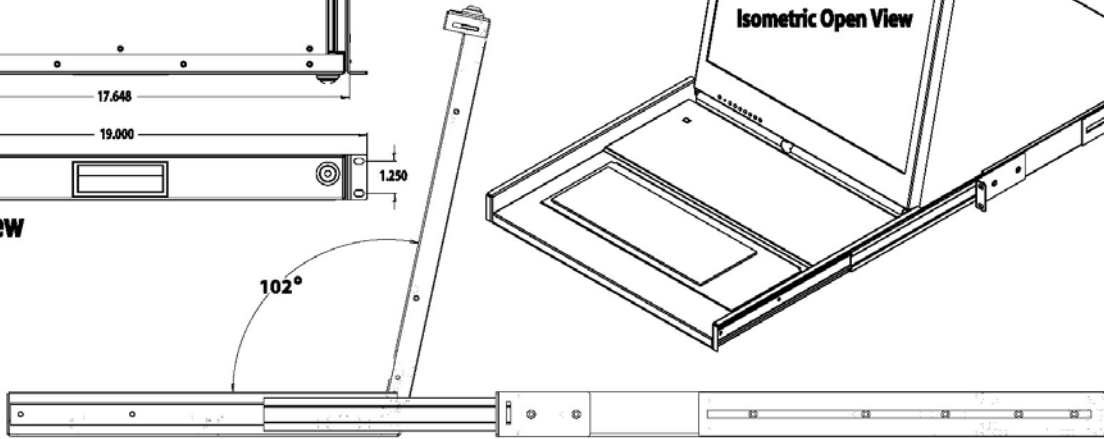
**Front View**



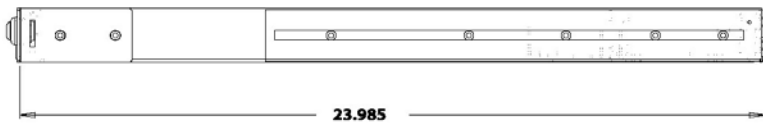
**Isometric Closed View**



**Isometric Open View**



**Side Views View**



Rear arms can extend to reach a maximum depth just over 36" on the inside



\*All dimensions are in inches