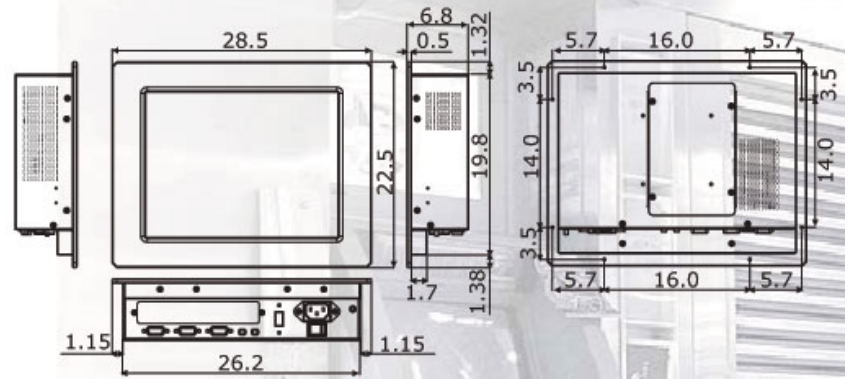


10.4" Panel PC with VIA V4 Eden/Eden CPU, CF, TV-Out, 70W AC P/S or 10~30V DC In



BSPC1040VT-E

Features

- Aluminum front panel design
- 10.4" TFT color panel display
- BSPC1040VT-E w/ touch screen, HS-2615+VIA V4 Eden 1GHz CPU, 70W P/S, CF, 3 x COM, 5 x USB2.0
- BSPC1040VT-C w/ touch screen, HS-2605+VIA Eden 667MHz CPU, 100~250V AC in or 10~30V DC in 70W P/S, CF, 3 x COM, 1 x USB, TV-Out
- Onboard graphics, ethernet, audio controller
- 1 x 2.5" HDD space
- 1 x 4cm ball bearing cooling fan

Display

LCD Size

10.4"

Max Resolution

800(H) x 600(V) pixels RGB stripes arrangement

Brightness (cd/m²)

250 cd/m²(Typ.)

LCD Color

6-bit, 262,144 colors

Pixel Pitch (mm)

0.264 x 0.264

Touch Screen

10.4" resistive

Mechanical and Environmental

Thermal Solution

1 x 4cm ball bearing cooling fan

Dimensions (LxHxW)

28.5 x 22.5 x 6.8 cm

Cut Out Size (LxH)

26.6 x 20.2 cm

Operation/Storage Temperature

0~+45 degrees C/-20~+70 degrees C

EMC

FCC/CE

Front Panel Protection

IP65 compliance

Power Supply

100~250V AC in 70W power supply

10~30V DC in 70W power supply (for BPC-3610-C DC version only)



i-Tech Company LLC

TOLL FREE: (888) 483-2418 • EMAIL: info@iTechLCD.com • WEB: www.iTechLCD.com

System

SBC Model

HS-2615

CPU

VIA V4 Eden 1GHz CPU

BIOS

Award PnP Flash BIOS

System Chipset

VIA CX700(M)

System Memory

1 x 200-pin SO-DIMM socket up to 1GB DDR2 SDRAM

Display Chipset

VIA CX700(M)

Audio Chipset

VIA VT1708A

Ethernet Chipset

Dual RealTek RTL8139DL 10/100 Mbps LAN

Drive Bay

1 x 2.5" HDD space

Storage

1 x Type II CF socket

Watchdog Timer

Software programmable time-out intervals from 1~255 sec.
or 1~255 min.

I/O Interface

External I/O

5 x USB2.0, Line Out, MIC In, 3 x COM, 2 x LAN, CF, PS/2 KB/MS, VGA

Rear I/O

