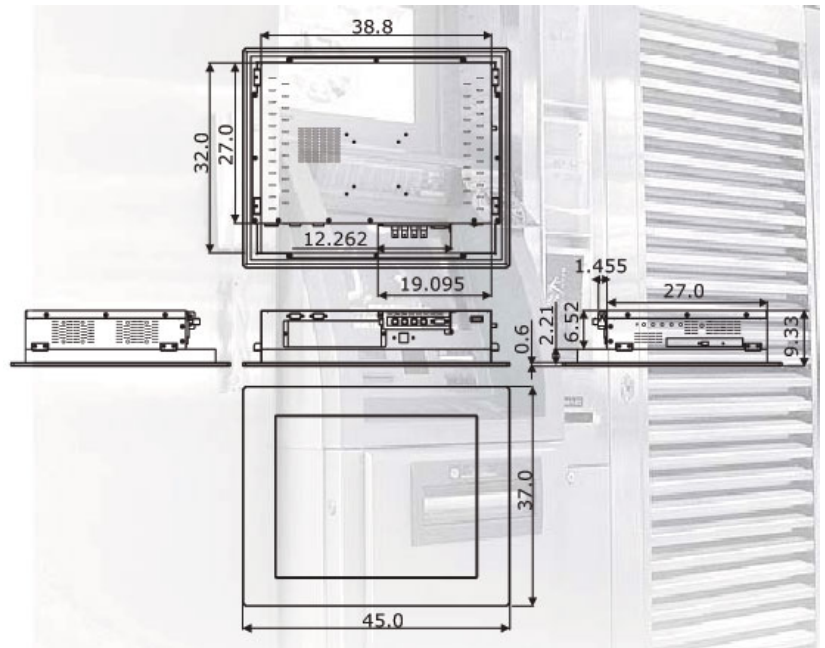


17" High Speed Panel PC with Touch Screen, MainBoard, 12V DC Adapter, 1 x Expansion slot



BES1700-CD1



Features

- Aluminum front panel design
- 17" TFT color panel display
- Built-in OSD key, touch screen, 12V DC adapter
- BES1700-CD1 w/HS-1750, provides Intel Core™ Duo processor, 4 x COM, 6 x USB2.0, DVI display, PCI expansion slot
- Onboard graphics, dual GB ethernet, audio controller
- 1 x 2.5" HDD space, 1 x slim CD-ROM space
- 2 x 4cm ball bearing cooling fan
- Option for Wireless LAN module

Display

LCD Size

17"

Max Resolution

1280 x 1024 pixels

Brightness (cd/m²)

300 (center, Typ) @ 7.5mA

Contrast Ratio

800:1

LCD Color

16.7M colors (RGB 6-bits + FRC data)

Pixel Pitch (mm)

0.264 x 0.264

OSD

Provides OSD function

Touch Screen

17" resistive

Mechanical

Thermal System

2 x 4cm ball bearing cooling fan

Dimensions (LxHxW)

45.0 x 37.0 x 9.33 cm

Cut Out Size (LxH)

39.2 x 32.4 cm

Operation/Storage Temperature

0~+45 degrees C/-20~+70 degrees C

EMC

FCC/CE

Front Panel Protection

IP65 compliance

Power Adapter

12V DC in 150W adapter

System

SBC Model

HS-1750

CPU

Intel Core™ Duo T2050 processor (option)

BIOS

Award BIOS with 4Mb Flash EEPROM

System Chipset

Intel 945GME/ICH7-M

System Memory

2 x 200-pin SO-DIMM socket up to 4GB DDR2 SDRAM

Display Chipset

CRT: Intel 945GME

DVI: Chrontel CH7307

Audio Chipset

RealTek ALC655 5.1CH audio codec

Ethernet Chipset

Dual Marvell 88E8053 10/100/1000 Mbps LAN

Provides Wireless LAN module (option)

Drive Bay

1 x 2.5" HDD space

1 x Slim CD-ROM space

Watchdog Timer

Reset: 1 sec.~255 min. and 1 sec. or 1 min./step

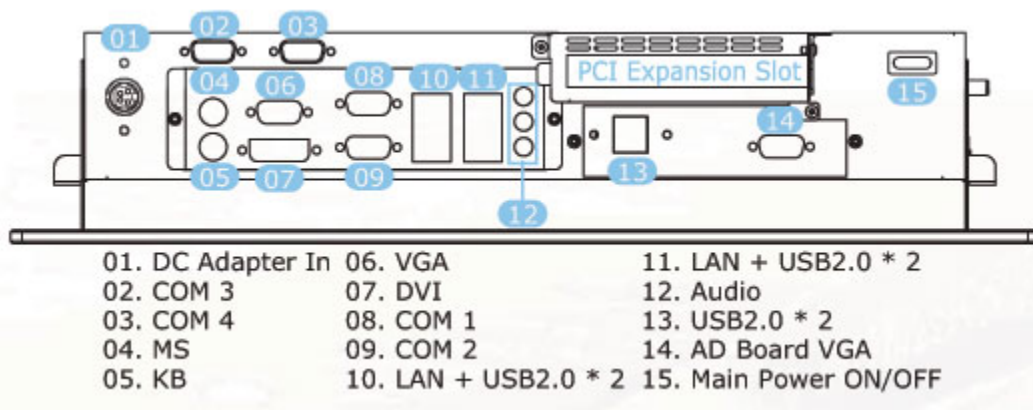
Expansion

1 x Standard PCI expansion slot

External I/O

4 x COM, PS/2 KB, PS/2 MS, VGA, DVI, 2 x LAN, 6 x USB2.0,
MIC In, Line In, Line Out, AD Board VGA

Rear I/O



i-Tech Company LLC

TOLL FREE: (888) 483-2418 • EMAIL: info@iTechLCD.com • WEB: www.iTechLCD.com