

Fanless Slim Medical Panel PC Series Solutions

21.5" Wide Screen 16:9 Fanless Medical Graded Slim All-in-One C2D 1.06GHz, 2GB RAM. 160GB HD. 2 Isolated USB. Isolated RS232. Gigabit LAN. XP Pro. Medical Graded AntiMicrobial (Washerable) Keyboard & Mouse (Option). DC9-30V.

Model: AMPC2150S-C2D

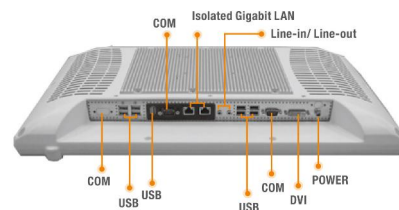


FEATURES

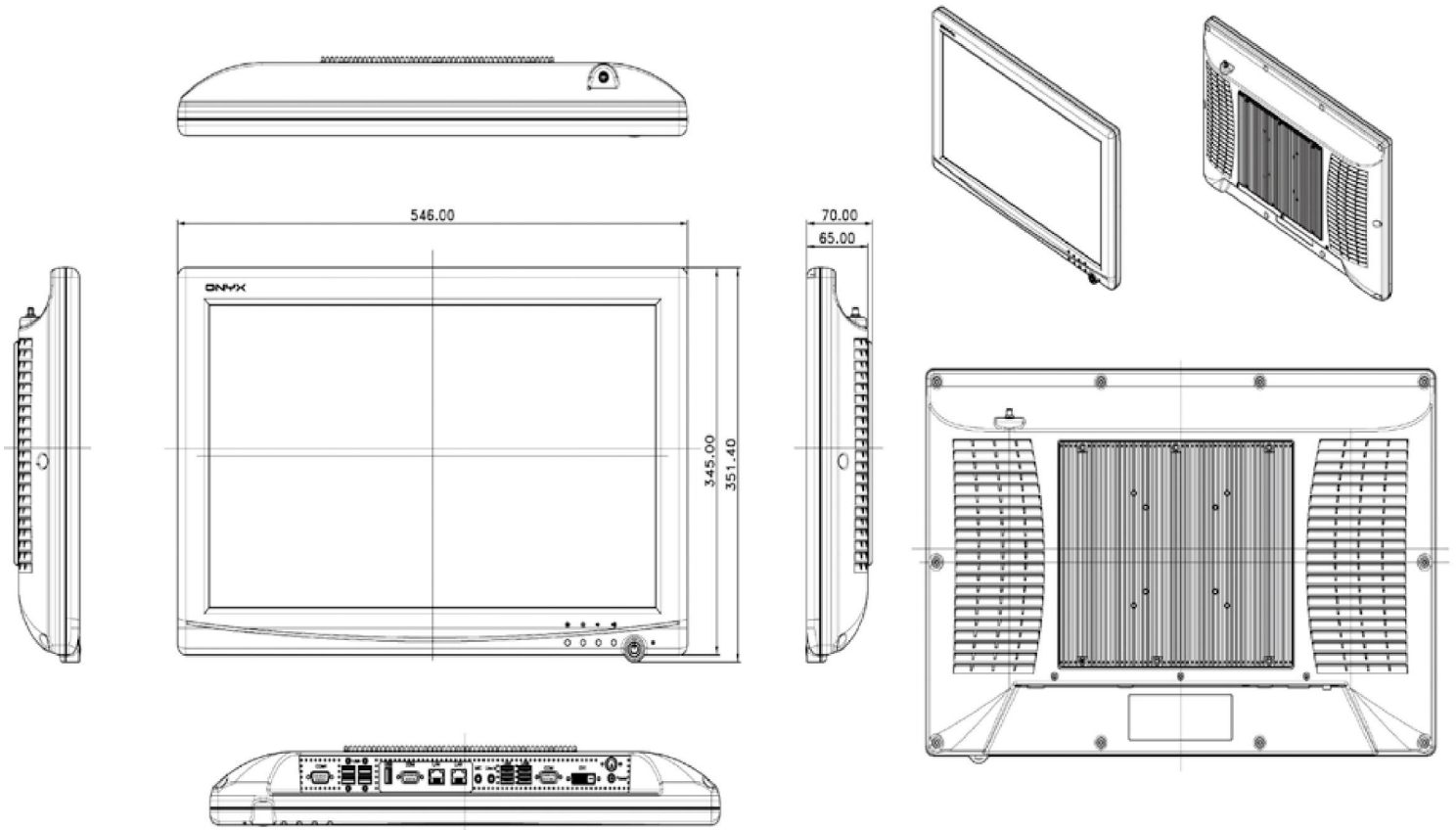
- Intel® Core™ 2 Duo Processor/ Celeron® M Processor
- 21.5" Full HD Resolution LCD
- Fanless, Zero Noise
- High Contrast Ratio, Wide Viewing Angle For Medical Imaging
- Resistive Touchscreen (Optional)
- 802.11a/b/g/n Wireless Antenna (Optional)
- CE/FCC Class B, EN/UL60601-1 Medical Certification

SPECIFICATIONS

Main System	
Processor	Intel® Core™ 2 Duo ULV 1.86 GHz (SL9400) / Celeron® M 1.2GHz (LV723)
System Memory	DDRIII SODIMM supports DDRIII 1066 up to 8 GB (optional)
Chipset	Intel® GS45 + ICH9M
OS Support	Windows® XP, XP Pro, XPE, WES, WES 7, Windows® 7
Expansion	Mini-PCI x 1 / Mini-Card x 1
Storage Disk Drive	2.5" SATA Hard Disk Drive x 1 (Optional)
Display	
Size	21.5"
Resolution	Full HD 1920 x 1080
Max. Colors	16.7M
Luminance	300 cd/m2
View Angle	170°(H)/160°(V)
Contrast Ratio	1000 : 1
Back Light MTBF (Hours)	50,000 Hours
Touch Screen	5-wire resistive
I/O	
Audio	Mic in/ Line out
USB	USB 2.0 x 8 (Isolation USB2.0 x1 (Full speed))
Serial Port	RS-232 / 422 / 485 x 1 ; Isolation RS-232 x 1
Ethernet	Isolated Gigabit LAN X 2
Speaker	3W speaker x 2
Mechanical and Environment	
Power Requirement	DC 9 ~30V
Operating Temperature	32°F ~ 104°F (0°C ~ 40°C)
Storage Temperature	-4°F ~ 140°F (-20°C ~ 60°C)
Mounting	VESA 75/100
Net Weight	15.18 lb (6.9 kg)
EMC	CE/FCC Class B, UL 60601-1, EN 60601-1



MECHANICAL DRAWING



OPTIONS

- (TF) Wireless LAN kit. Mini PCI. IEEE 802. 11a/b/g. With internal cable. antenna. For wistron CM9-GP