

Full IP65 19" Stainless Steel Enclosure LCD Display

FEATURES:

- Stainless Steel Housing
- Total IP 65
- Optional Touch Screen
- Wide Range DC 11~32V Power Input
- Rear OSD



Model: A1900HB3-SIP-V



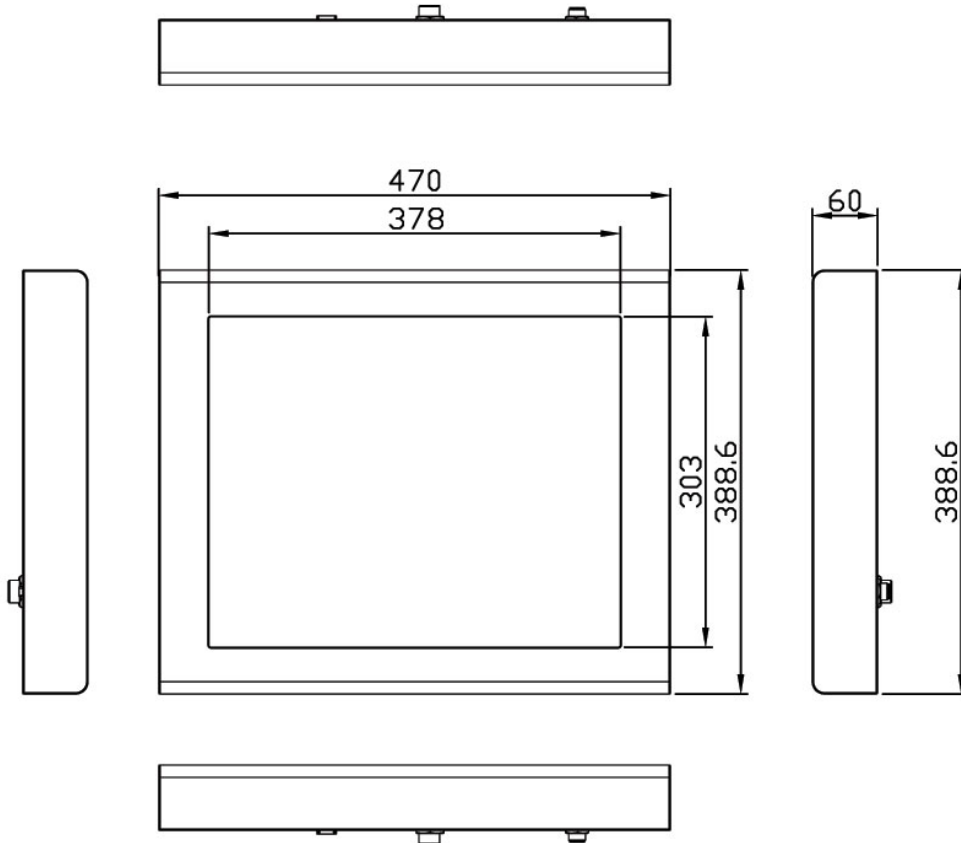
SPECIFICATION:

LCD	
Display Type	19" TFT-LCD
Max. Resolution	1280X1024
Max. Colors	16.7M
Brightness	1000 nits
Viewing Angle	H:170° / V:160°
Backlight Lifetime	50,000hrs
SYSTEM	
On Screen Display Control	On the rear side
External I/O Port	Default: • 1 x VGA Input • 1 x DC Optional: • Touch I/O
POWER SUPPLY	
Power Input	DC 11~32V
TOUCHSCREEN (for option)	
Type	Resistive type

MECHANICAL	
Construction	Stainless steel
IP Rating	Totally IP 65
Mounting	VESA 100x100 Mount
Dimension	470(W)x388.6(H)x60(D) mm
Net Weight	9.9 kgs
ENVIRONMENTAL	
Operating Temperature	0~50 °C
Storage Temperature	-20~60 °C
Storage Humidity	10~90% @40 °C non-condensing
Certificate	Meet CE/FCC Class A



DIMENSION:



Unit : mm

